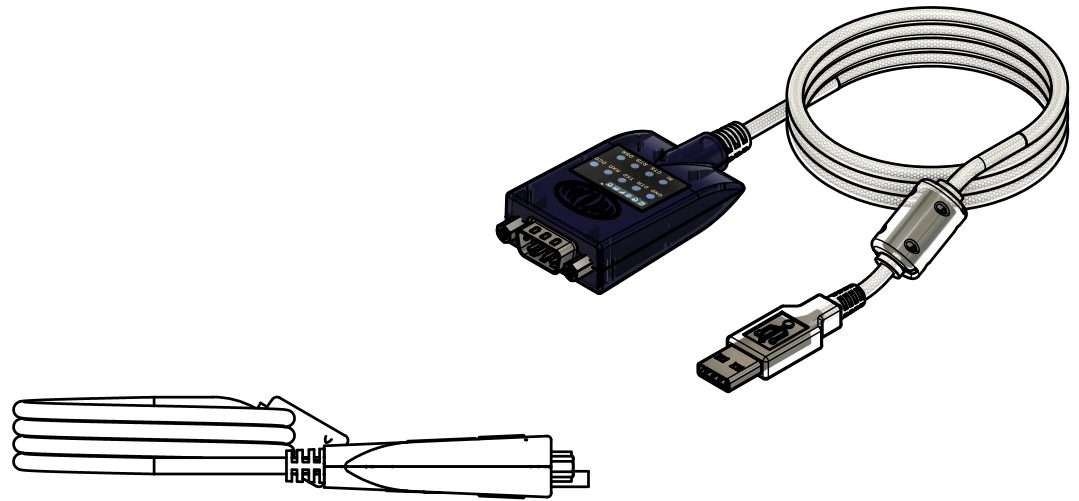
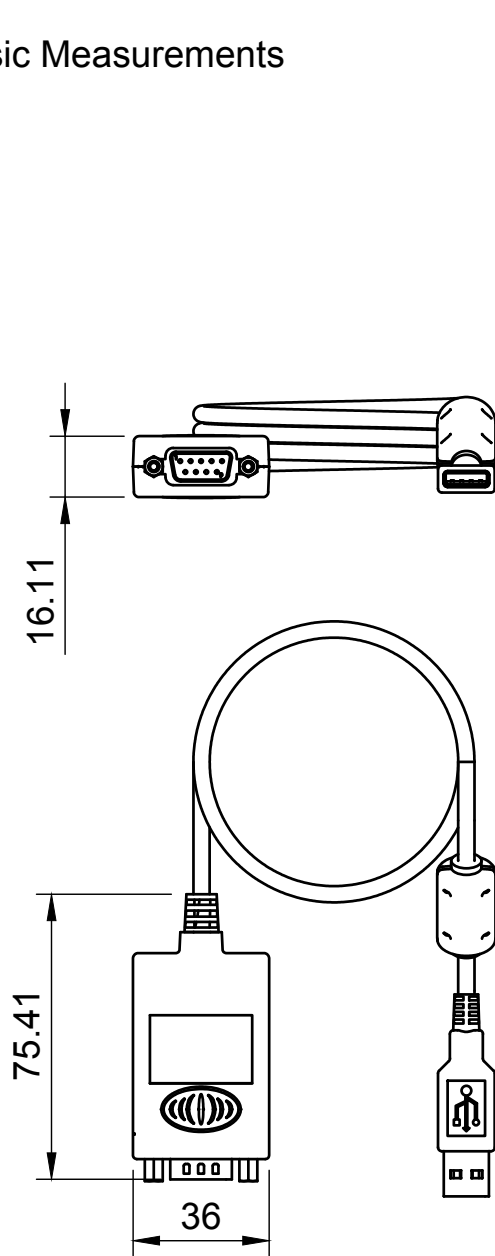
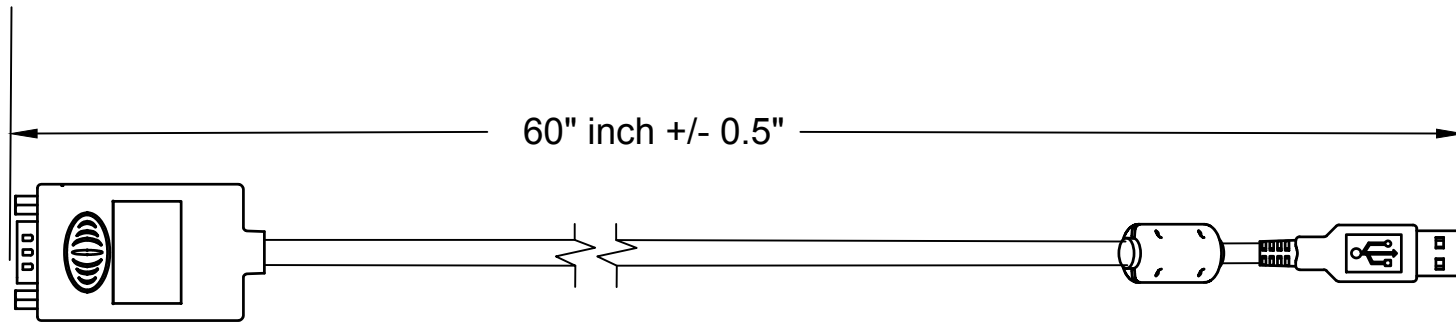


Basic Measurements



gearmo®		Model #: GM-FTDI-LED	
Drawn by: Leo Pinto		Scale: 1:2	Units: mm
Drawn Date: 6/3/21		Tolerance: +/- 0.15mm	
Notes:		Contact: support@gearmo.com	
		Web: gearmo.com	
		A4	1/2



GEARMO®

Model #: GM-FTDI-LED

Drawn by: Leo Pinto

Scale: 1:2 Units: mm

Drawn Date: 6/3/21

Tolerance: +/- 0.15mm

Notes:

Contact: support@gearmo.com

Web: gearmo.com

A4

2/2