

Specifications

- Current rating: 3A AC,DC
- Voltage rating: 250V AC,DC
- Temperature range: -25 °C to +85 °C
(including temperature rise)
- Contact resistance: Initial value/ 10m Ω Max.
After environmental testing/20m Ω Max.
- Insulation resistance: 500 M Ω Min.
- Withstanding voltage: 1000 V AC/minute
- Applicable wire: AWG#24-#28



E115256



LR84767

A

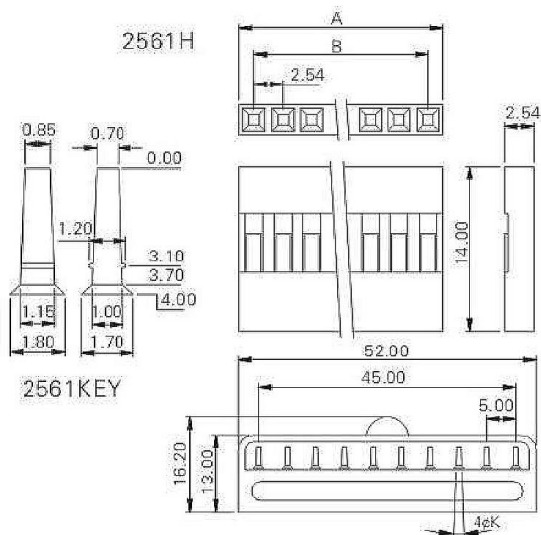
W
T
B

2561H 2561KEY

2.54mm pitch crimp housing and safety pin key

Reference Informations:

- *Mat'l: PBT 94V-0
- *Mates With: 2563 2564 series Terminal
- *Accepts With: 2540 & 2541 series Wafer



Ordering Information & Dimensions

Circuits	Part No.	DIM. (mm)		Circuits	Part No.	DIM. (mm)	
		A	B			A	B
01	2561H-01	2.54	0.00	21	2561H-21	53.34	50.80
02	2561H-02	5.08	2.54	22	2561H-22	55.88	53.34
03	2561H-03	7.62	5.08	23	2561H-23	58.42	55.88
04	2561H-04	10.16	7.62	24	2561H-24	60.96	58.42
05	2561H-05	12.70	10.16	25	2561H-25	63.05	60.96
06	2561H-06	15.24	12.70	26	2561H-26	66.04	63.05
07	2561H-07	17.78	15.24	27	2561H-27	68.58	66.04
08	2561H-08	20.32	17.78	28	2561H-28	71.12	68.58
09	2561H-09	22.86	20.32	29	2561H-29	73.66	71.12
10	2561H-10	25.40	22.86	30	2561H-30	76.20	73.66
11	2561H-11	27.94	25.40	31	2561H-31	78.74	76.20
12	2561H-12	30.48	27.94	32	2561H-32	81.28	78.74
13	2561H-13	33.02	30.48	33	2561H-33	83.82	81.28
14	2561H-14	35.56	33.02	34	2561H-34	86.36	83.82
15	2561H-15	38.10	35.56	35	2561H-35	88.90	86.36
16	2561H-16	40.64	38.10	36	2561H-36	91.44	88.90
17	2561H-17	43.18	40.64	37	2561H-37	93.98	91.44
18	2561H-18	45.72	43.18	38	2561H-38	96.52	93.98
19	2561H-19	48.26	45.72	39	2561H-39	99.06	96.52
20	2561H-20	50.80	48.26	40	2561H-40	101.6	99.06