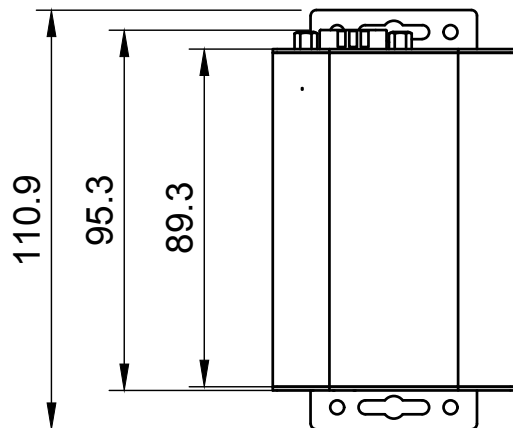
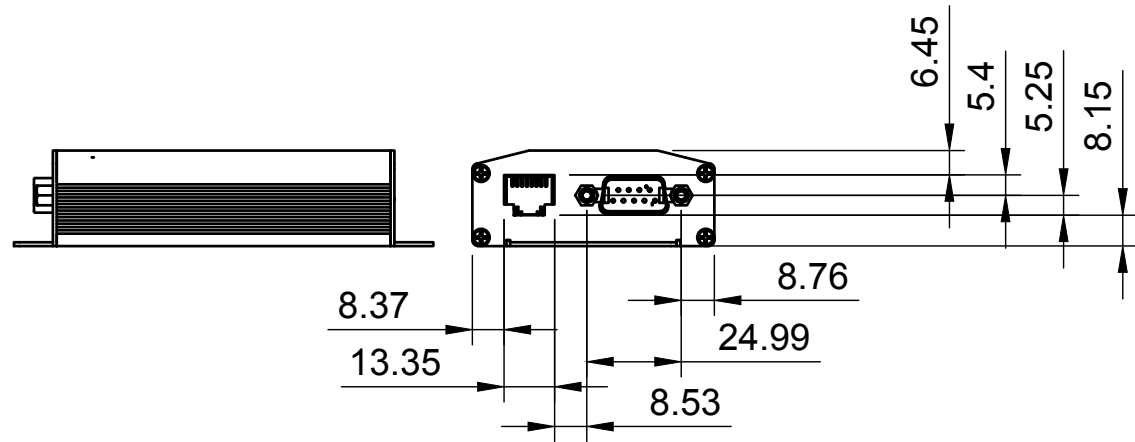
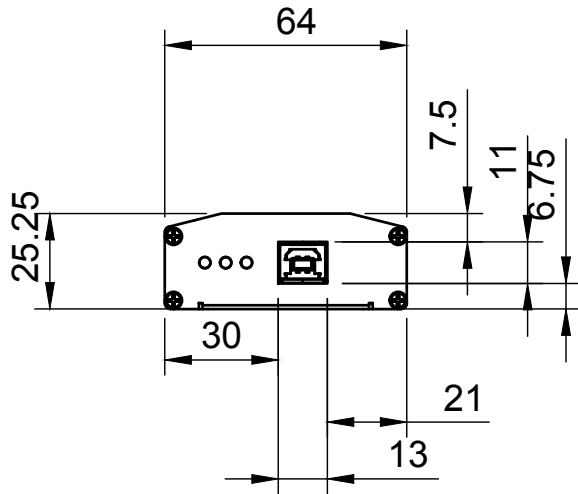
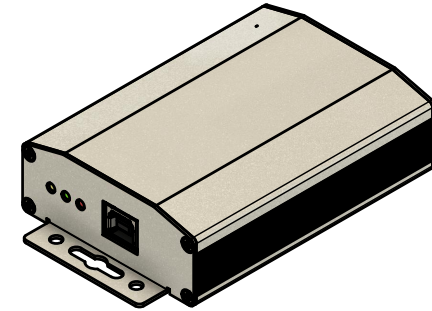


Basic measurements
Port detailed



Model #:
US-422i

Drawn by: Leo Pinto

Scale: 1:2 | Units: mm

Drawn Date: 7/23/21

Tolerance: +/- 0.15mm

Notes:

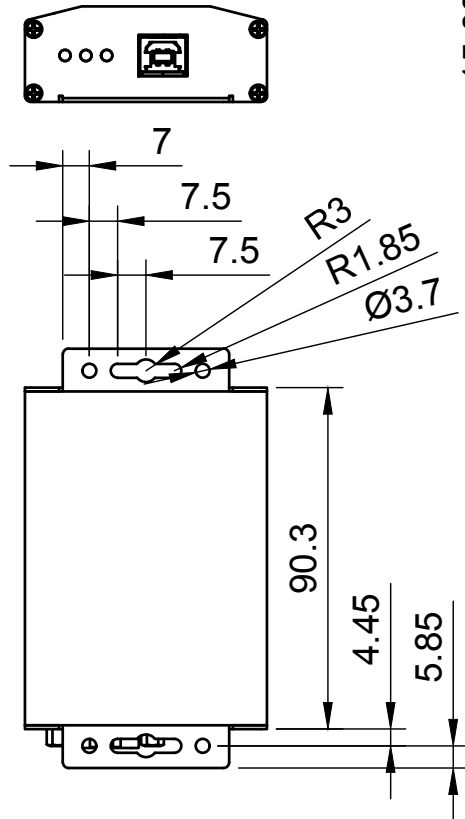
Contact: support@gearmo.com

Web: gearmo.com

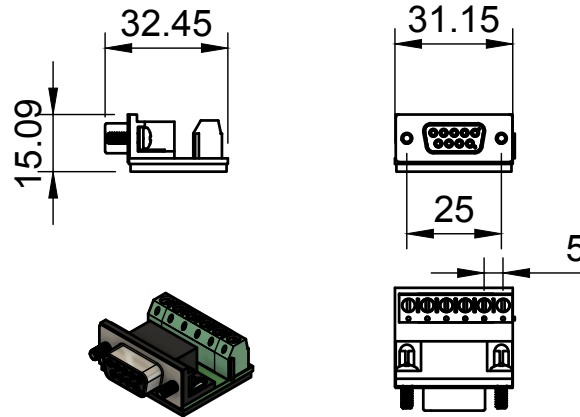
A4

1/2

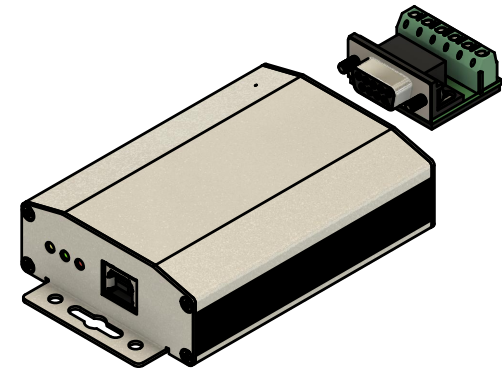
Mounting holes



Accesorie



Exploded View



GEARMO®

Model #:
US-422i

Drawn by: Leo Pinto

Scale: 1:2 Units: mm

Drawn Date: 7/23/21

Tolerance: +/- 0.15mm

Notes:

Contact: support@gearmo.com

Web: gearmo.com

A4

2/2