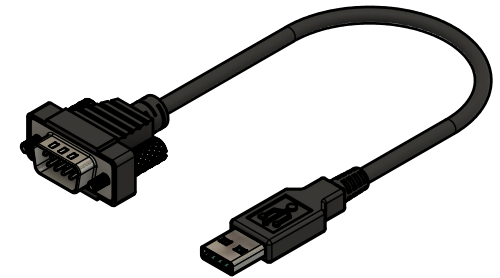
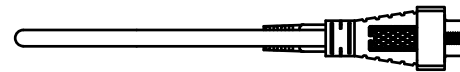
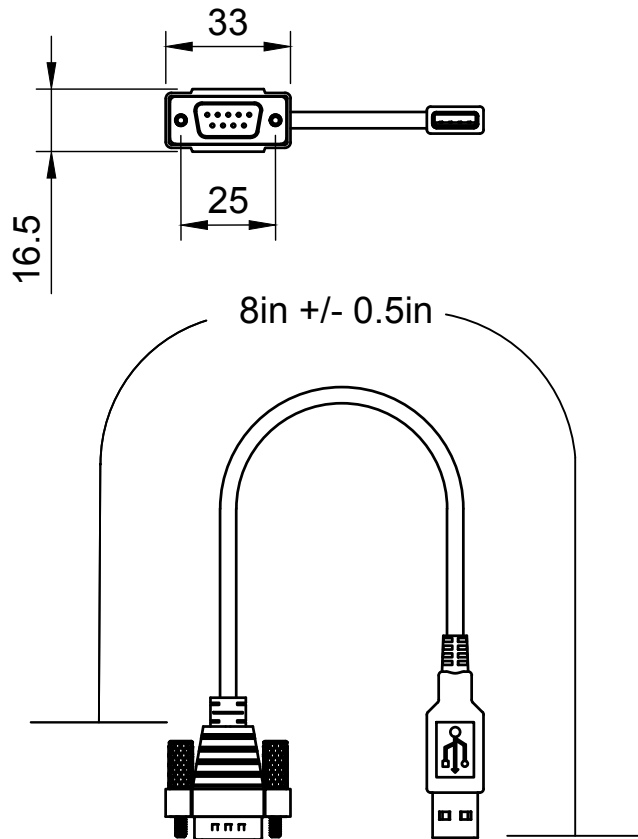


Basic Measurements
 Port Detailed
 Cord



gearmo®		Model #: USA-FTDI-8	
Drawn by: Leo Pinto	Scale: 1:2	Units: mm	
Drawn Date: 7/27/21	Tolerance: +/- 0.15mm		
Notes:	Contact: support@gearmo.com		
	Web: gearmo.com		
	A4	1/1	