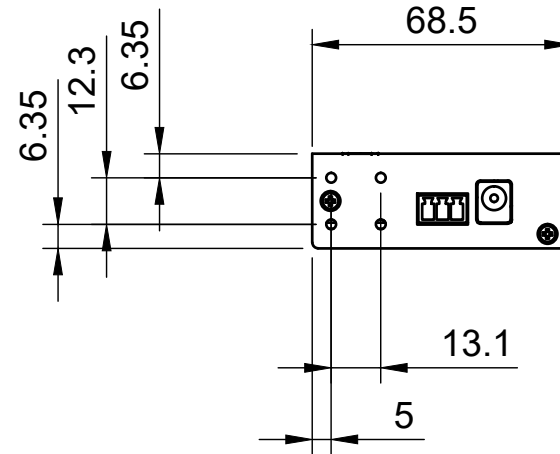
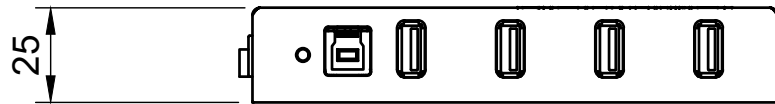
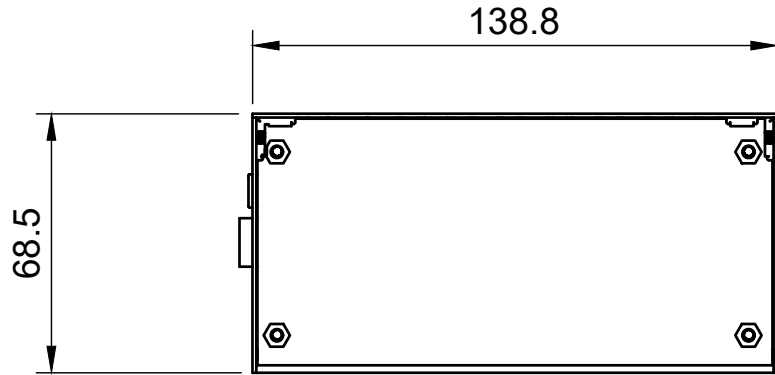

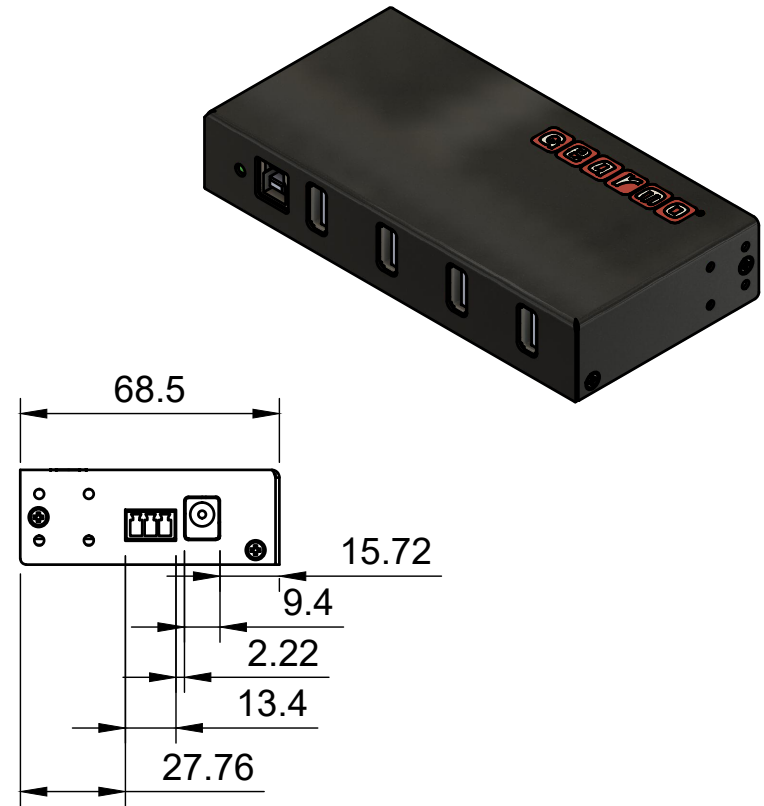
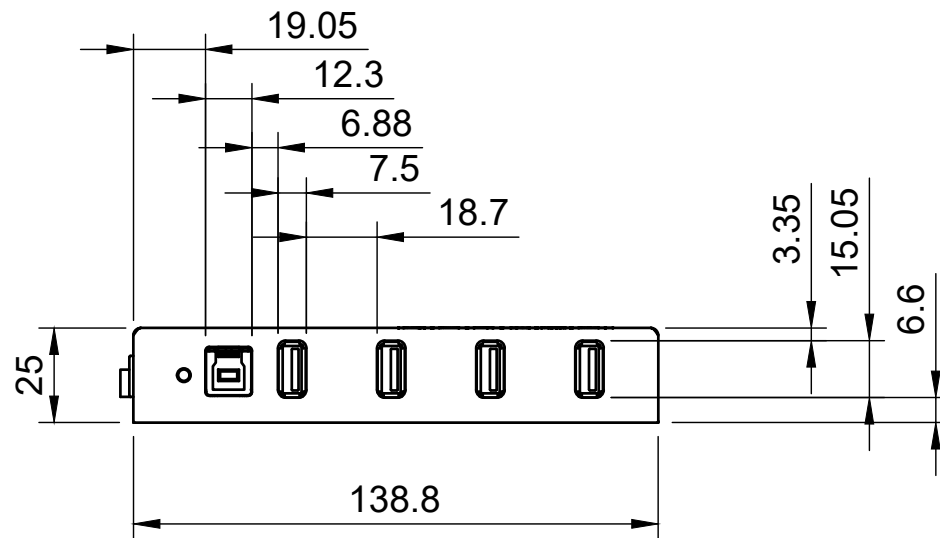



Basic Measurements
Mounting holes



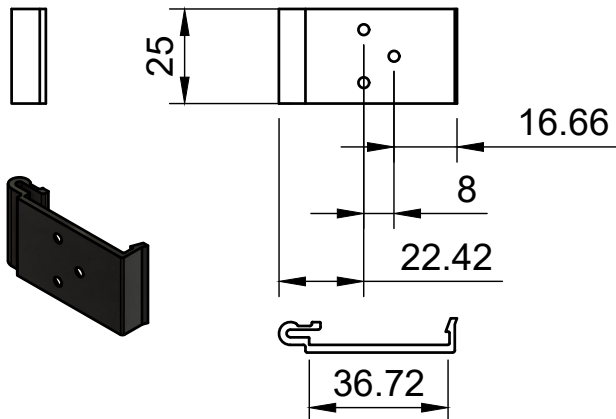
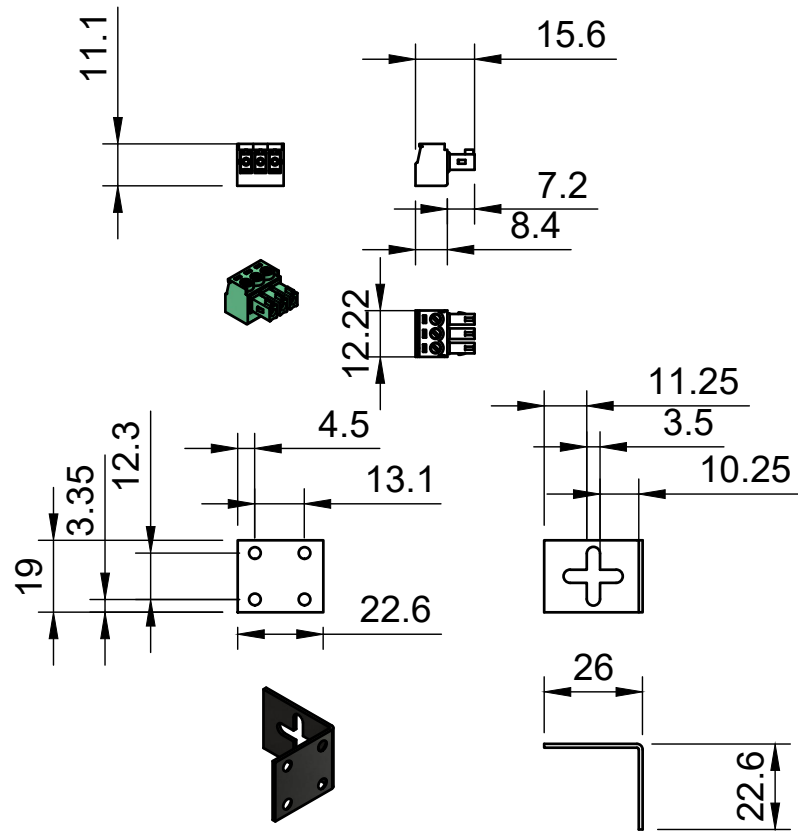
		Model #: GM-HU34	
Drawn by: Leo Pinto		Scale: 1:2	Units: mm
Drawn Date: 4/8/2021		Tolerance: +/- 0.15mm	
Notes:		Contact: support@gearmo.com	
		Web: gearmo.com	
		A4	1/4

Detailed Ports Measurements



		Model #:	
		GM-HU34	
Drawn by: Leo Pinto		Scale: 1:2	Units: mm
Drawn Date: 4/8/2021		Tolerance: +/- 0.15mm	
Notes:		Contact: support@gearmo.com	
		Web: gearmo.com	
		A4	2/4

Accessories

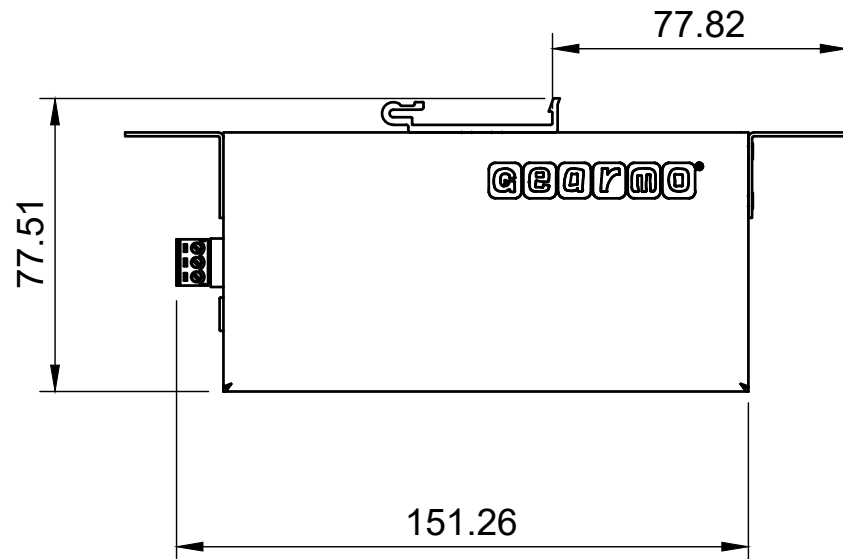
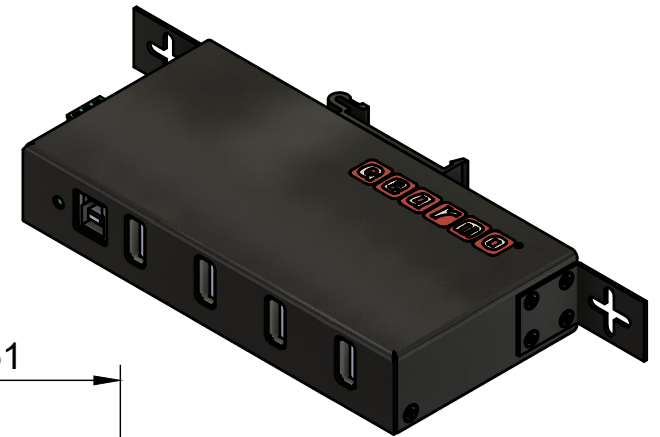
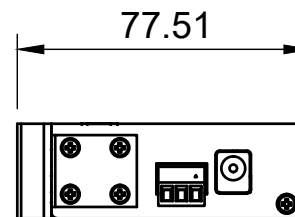
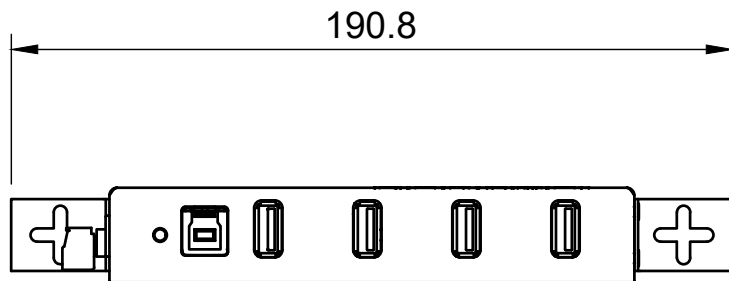



Exploded View



GEARMO®		Model #: GM-HU34	
Drawn by: Leo Pinto		Scale: 1:2	Units: mm
Drawn Date: 4/8/2021		Tolerance: +/- 0.15mm	
Notes:		Contact: support@gearmo.com	
		Web: gearmo.com	
		A4	3/4

Measurements with Accessories



		Model #:	
		GM-HU34	
Drawn by: Leo Pinto		Scale: 1:2	Units: mm
Drawn Date: 4/8/2021		Tolerance: +/- 0.15mm	
Notes:		Contact: support@gearmo.com	
		Web: gearmo.com	
		A4	4/4