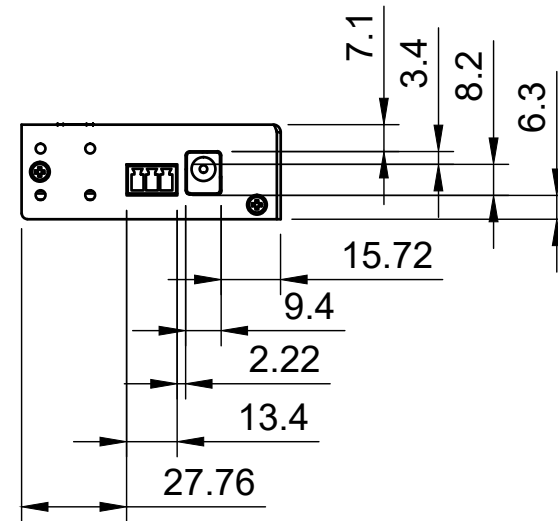
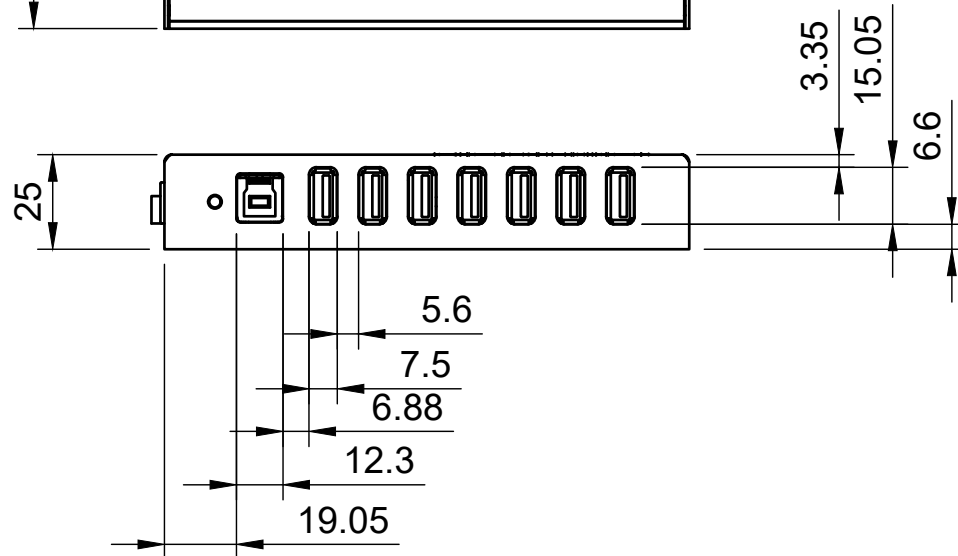
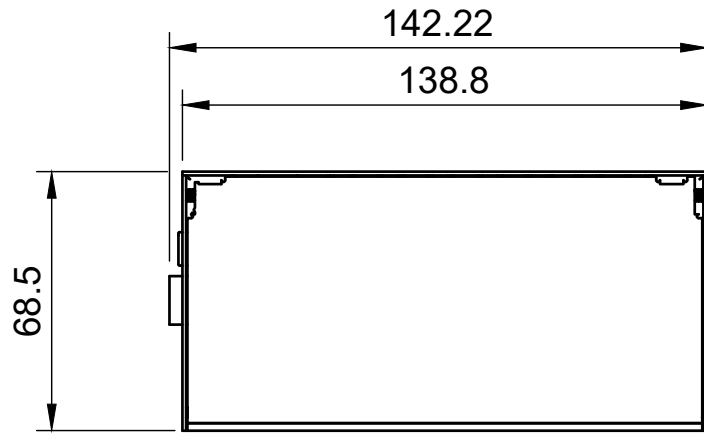

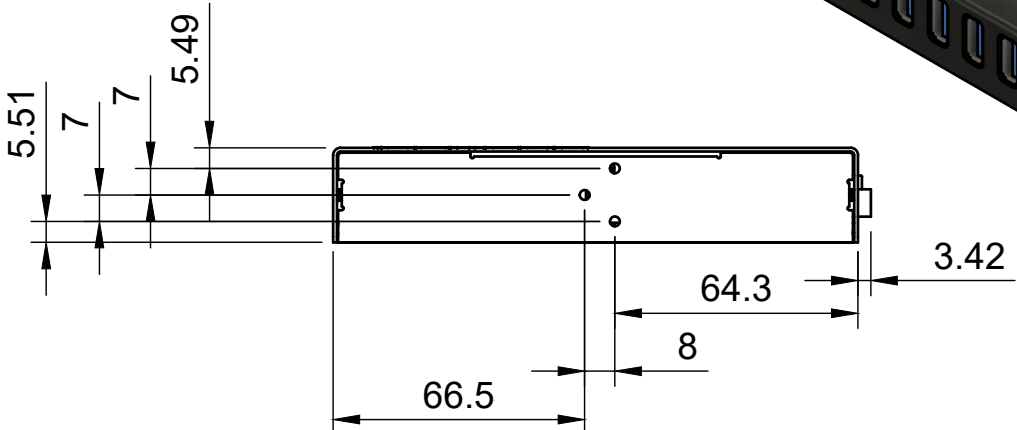
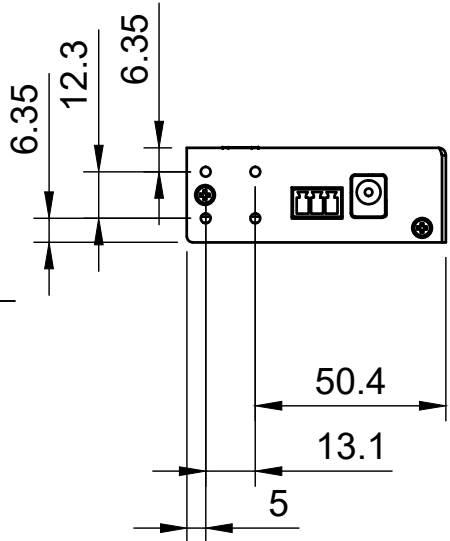



# Basic Measurements



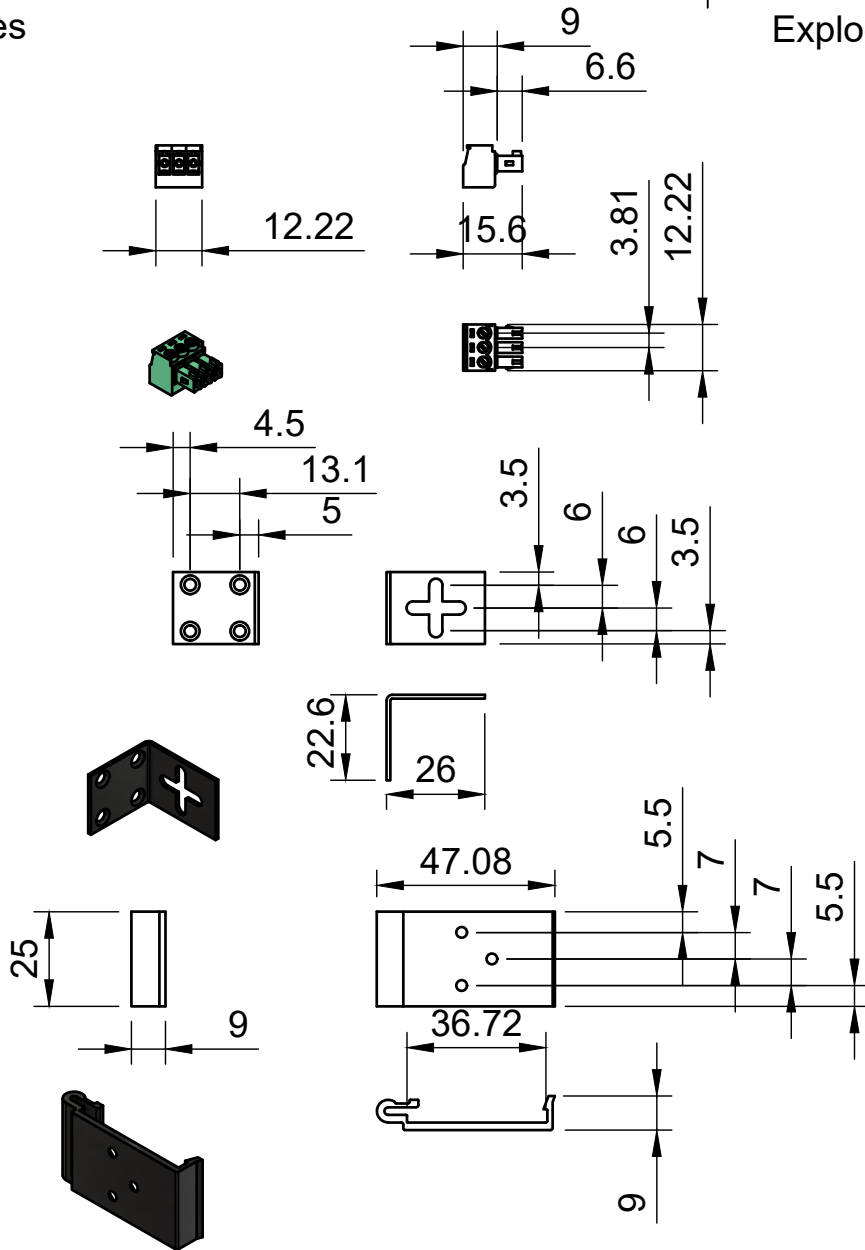
		Model #: GM-HU37	
Drawn by: Coolgear Tech		Scale: 1:2	Units: mm
Drawn Date: 4/12/2021		Tolerance: +/- 0.15mm	
Notes:		Contact: support@gearmo.com	
		Web: gearmo.com	
		A4	1/3

# Mounting Holes Measurements

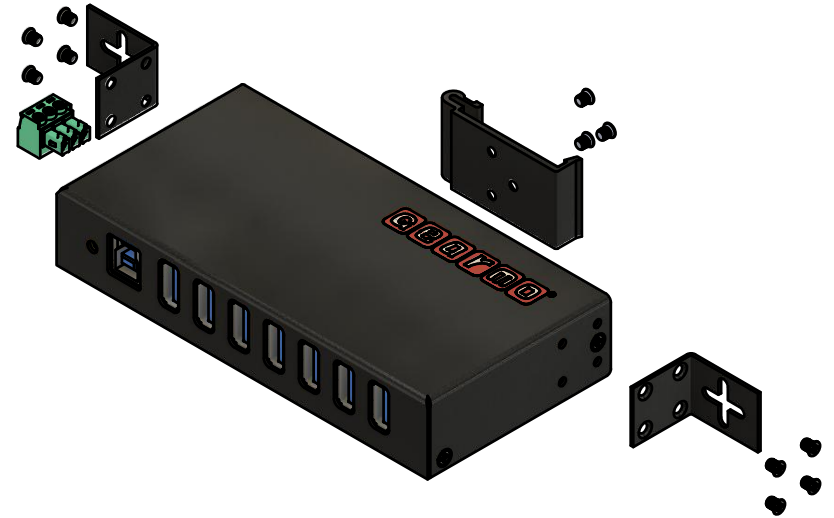



		Model #: GM-HU37	
Drawn by: Coolgear Tech		Scale: 1:2	Units: mm
Drawn Date: 4/12/2021		Tolerance: +/- 0.15mm	
Notes:		Contact: support@gearmo.com	
		Web: gearmo.com	
		A4	2/3

### Accessories



### Exploded View



		Model #:	
		GM-HU37	
Drawn by: Coolgear Tech		Scale: 1:2	Units: mm
Drawn Date: 4/12/2021		Tolerance: +/- 0.15mm	
Notes:		Contact: support@gearmo.com	
		Web: gearmo.com	
		A4	3/3