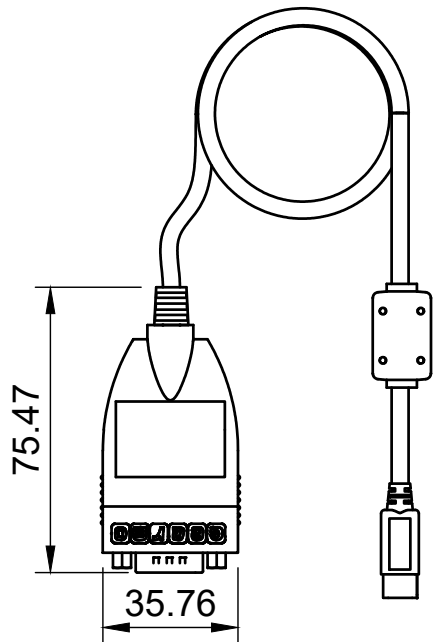
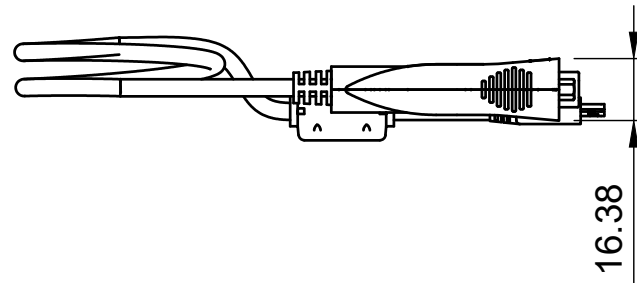
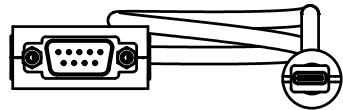


Basic Measurements



gearmo®

Model #: GM-FTDI2-LED16-C

Drawn by: Leo Pinto

Scale: 1:2 | Units: mm

Drawn Date: 6/1/21

Tolerance: +/- 0.15mm

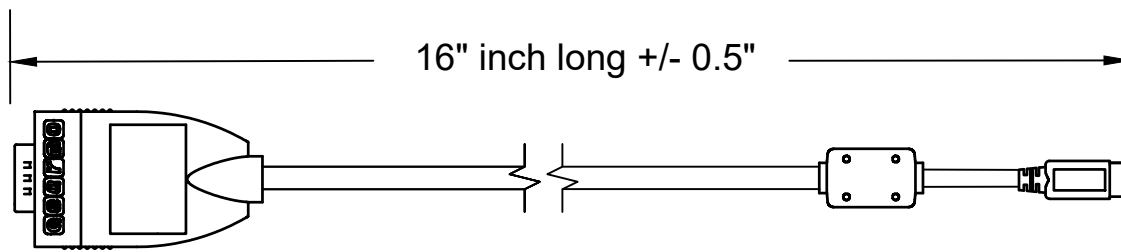
Notes:

Contact: support@gearmo.com

Web: gearmo.com

A4

1/2



gearmo[®]

Model #:
GM-FTDI2-LED16-C

Drawn by: Leo Pinto

Scale: 1:2 Units: mm

Drawn Date: 6/1/21

Tolerance: +/- 0.15mm

Notes:

Contact: support@gearmo.com

Web: gearmo.com

A4

2/2