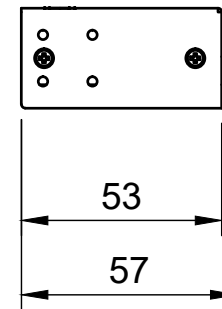
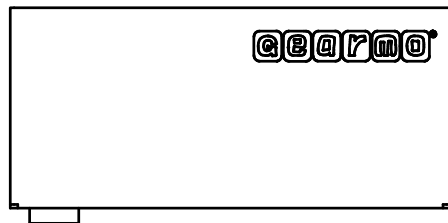
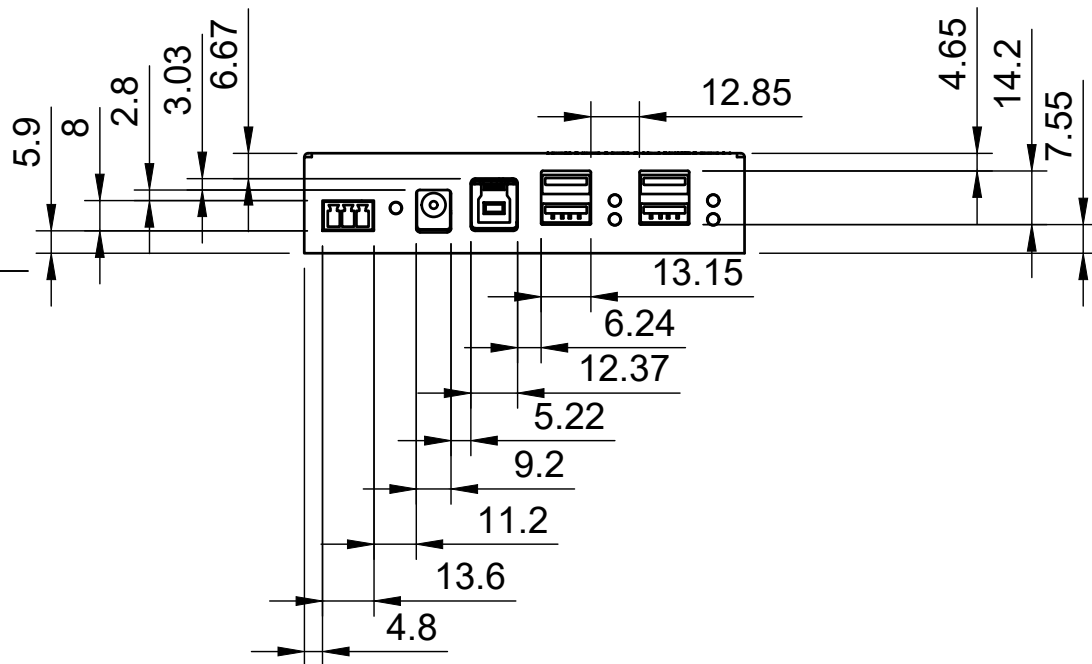
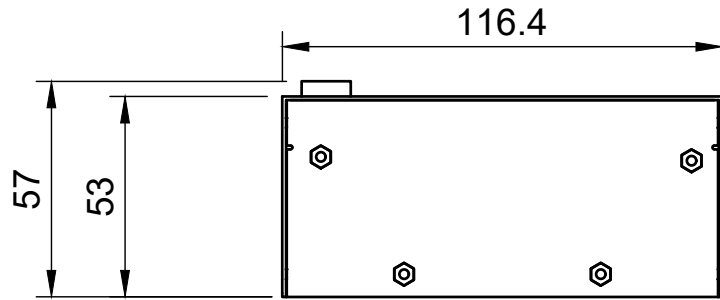

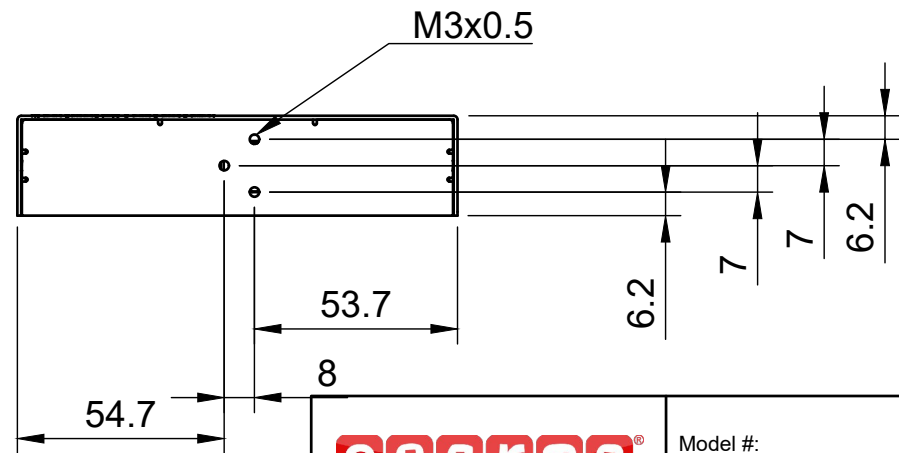
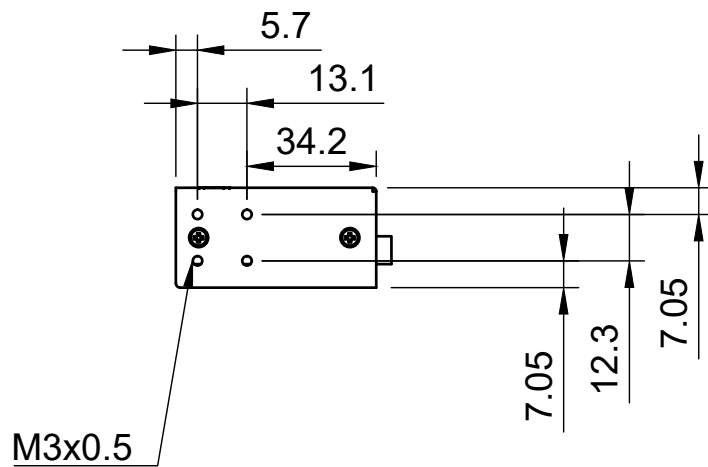
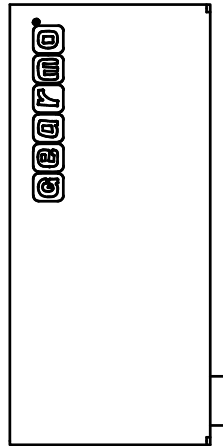


Basic Measurements
Detailed Ports



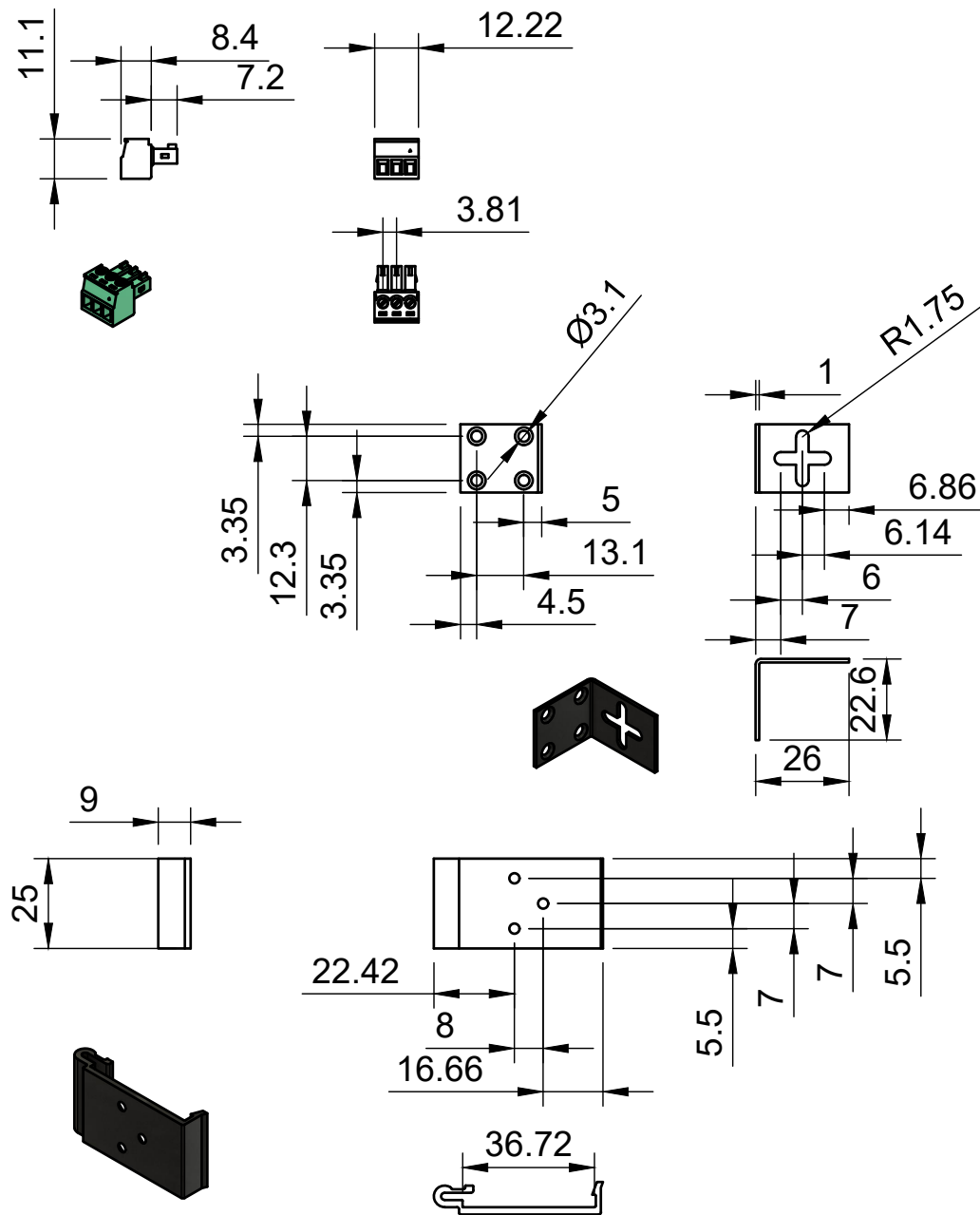
		Model #: GM-HU34DW	
Drawn by: Leo Pinto		Scale: 1:2	Units: mm
Drawn Date: 4/14/2021		Tolerance: +/- 0.15mm	
Notes:		Contact: support@gearmo.com	
		Web: gearmo.com	
		A4	1/3

Mounting Holes

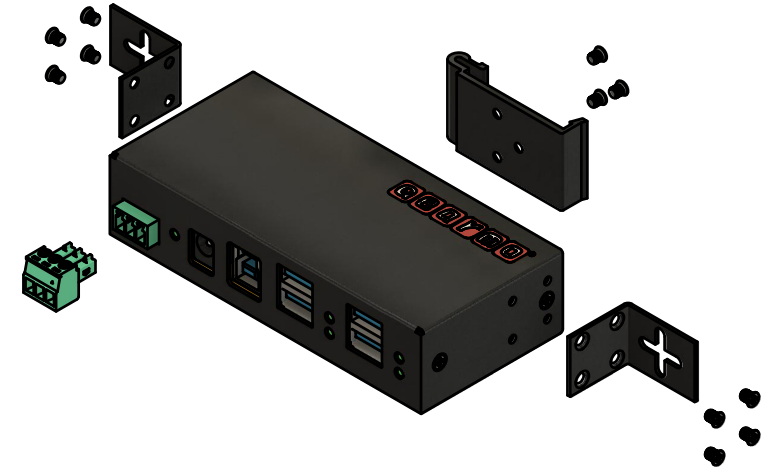


		Model #: GM-HU34DW	
Drawn by: Leo Pinto		Scale: 1:2	Units: mm
Drawn Date: 4/14/2021		Tolerance: +/- 0.15mm	
Notes:		Contact: support@gearmo.com	
		Web: gearmo.com	
		A4	2/3

Accessories



Exploded View



Model #: GM-HU34DW

Drawn by: Leo Pinto

Scale: 1:2 | Units: mm

Drawn Date: 4/14/2021

Tolerance: +/- 0.15mm

Notes:

Contact: support@gearmo.com

Web: gearmo.com

A4

3/3