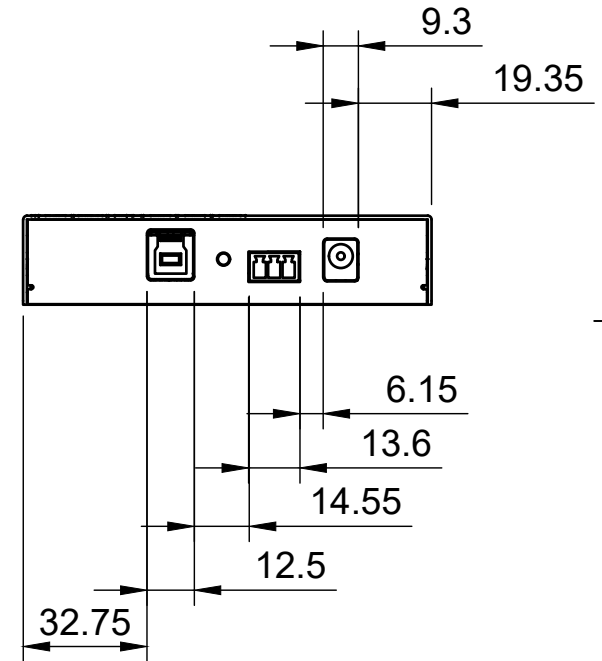
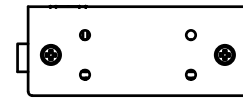
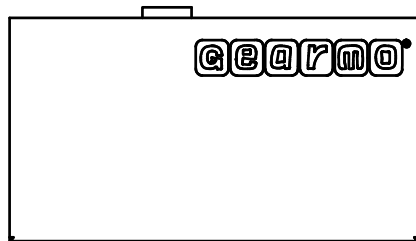
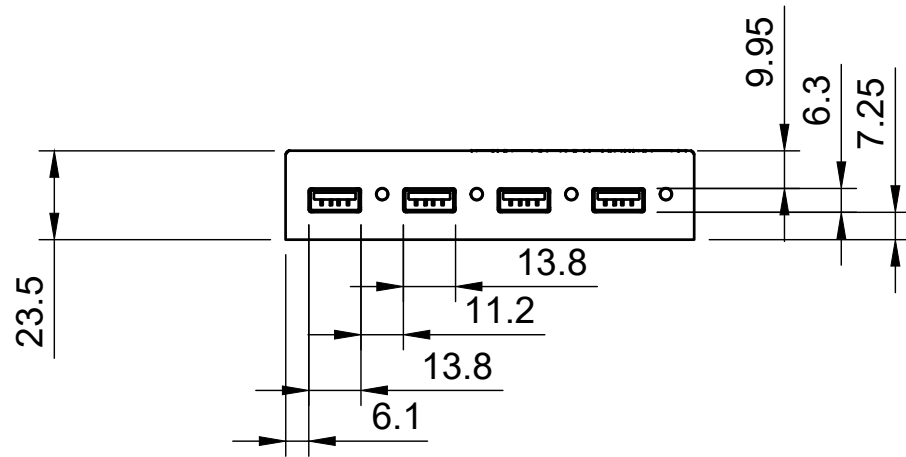
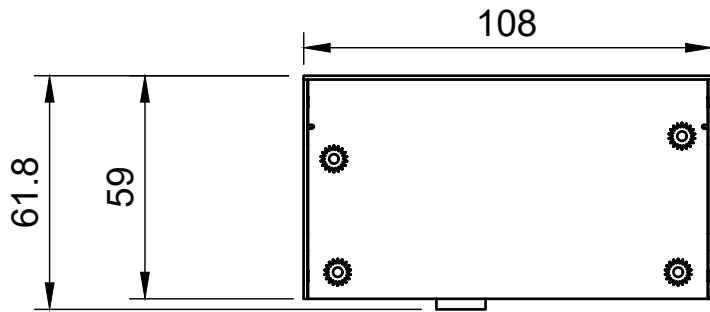



Basic Measurements  
Detailed Ports Measurements

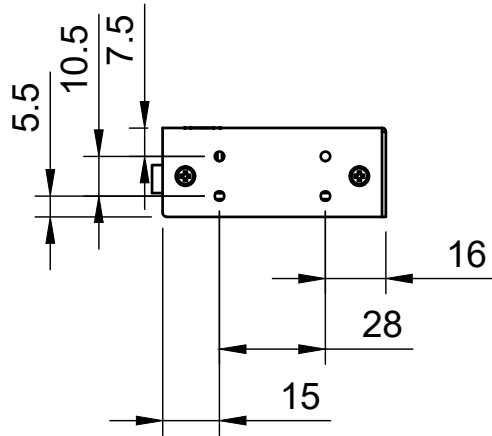
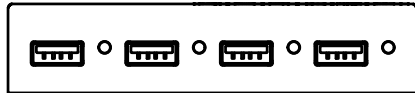


		Model #: <b>GM-HU34PWL</b>
Drawn by: Coolgear Tech	Scale: 1:2	Units: mm
Drawn Date: 4/12/2021	Tolerance: +/- 0.15mm	
Notes:	Contact: support@gearmo.com	
	Web: gearmo.com	
	A4	1/3

### Mounting Holes Dimensions

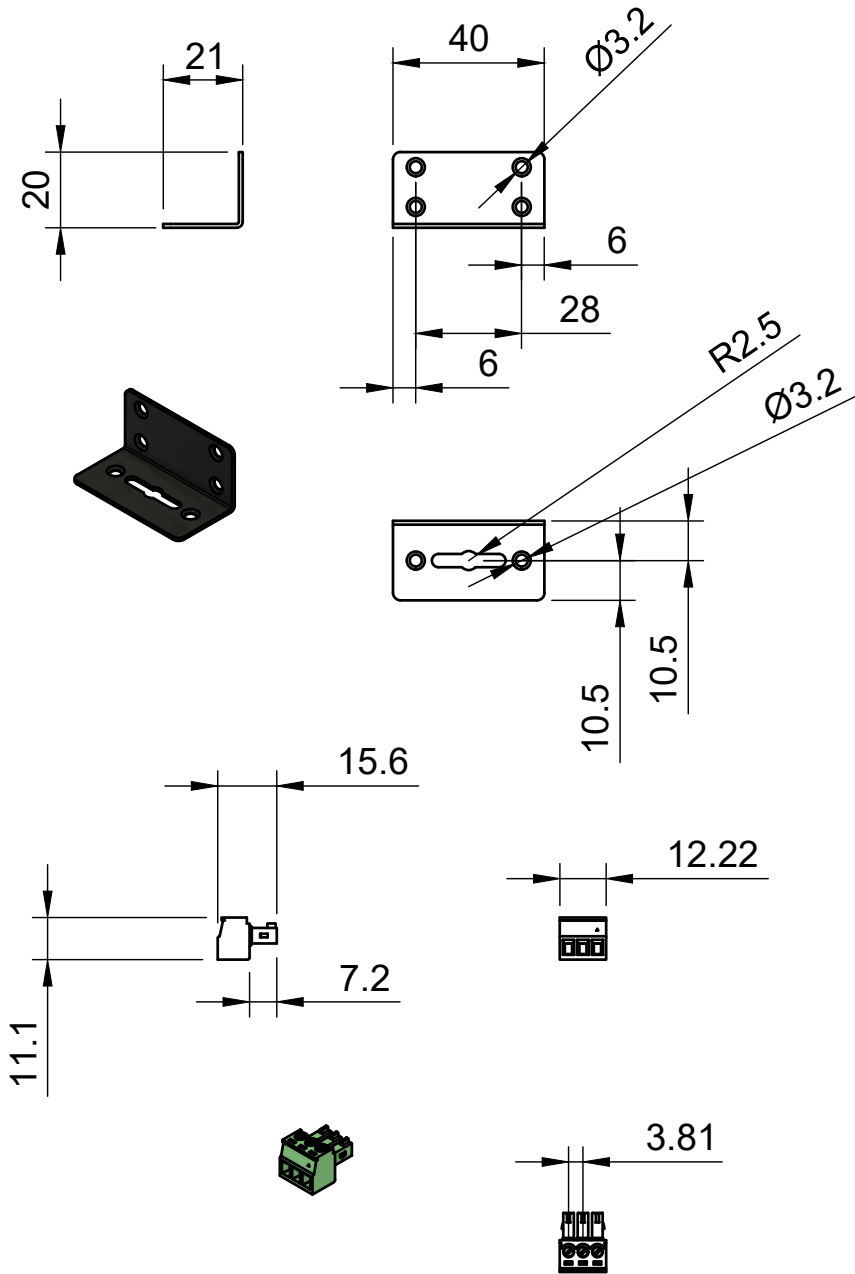


### Exploded View

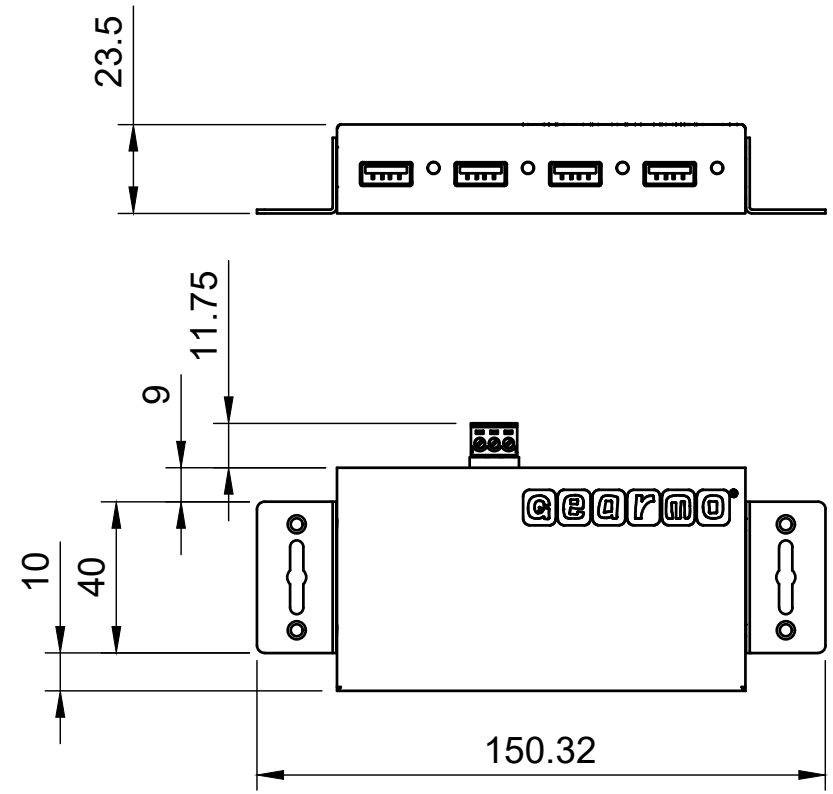



<b>GEARMO</b> <sup>®</sup>		Model #: <b>GM-HU34PWL</b>	
Drawn by: Coolgear Tech		Scale: 1:2	Units: mm
Drawn Date: 4/12/2021		Tolerance: +/- 0.15mm	
Notes:		Contact: support@gearmo.com	
		Web: gearmo.com	
		A4	2/3

### Accessories



### Dimensions With Accessories



		Model #:	
		GM-HU34PWL	
Drawn by: Coolgear Tech		Scale: 1:2	Units: mm
Drawn Date: 4/12/2021		Tolerance: +/- 0.15mm	
Notes:		Contact: support@gearmo.com	
		Web: gearmo.com	
		A4	3/3