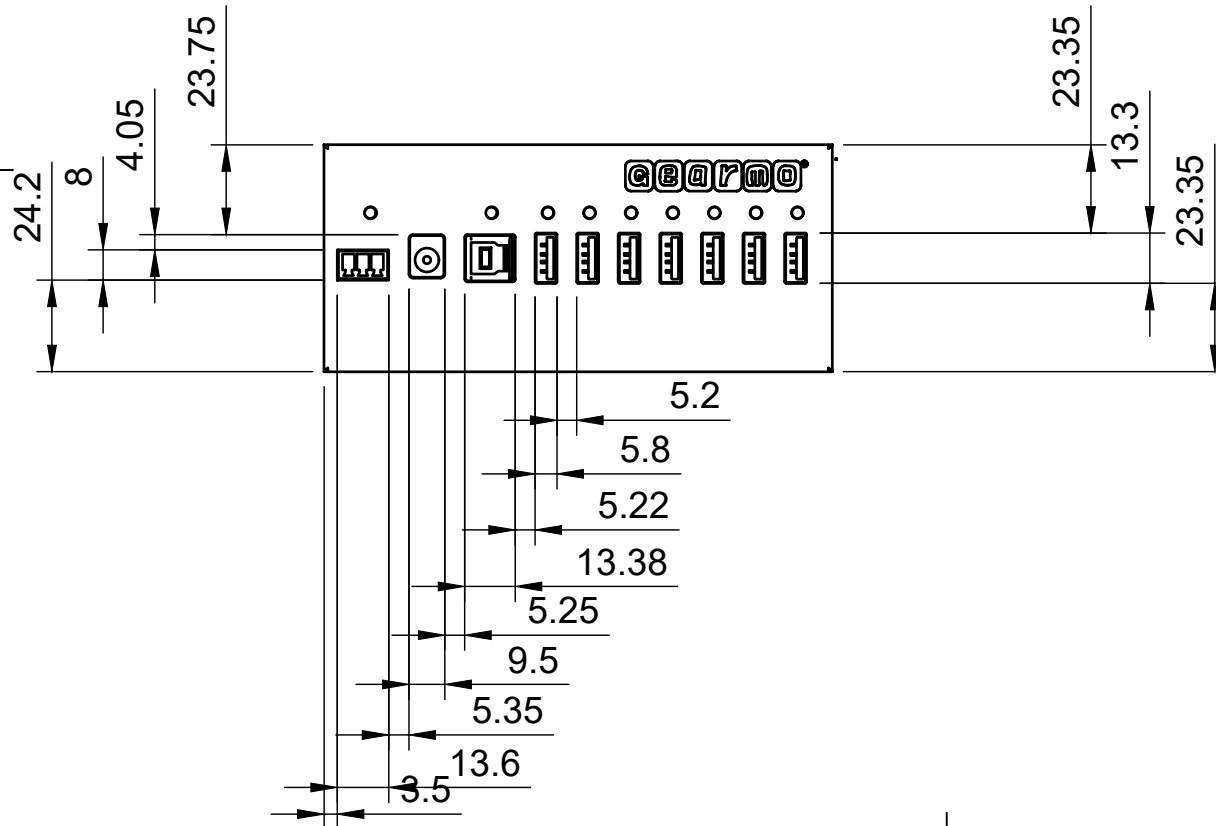
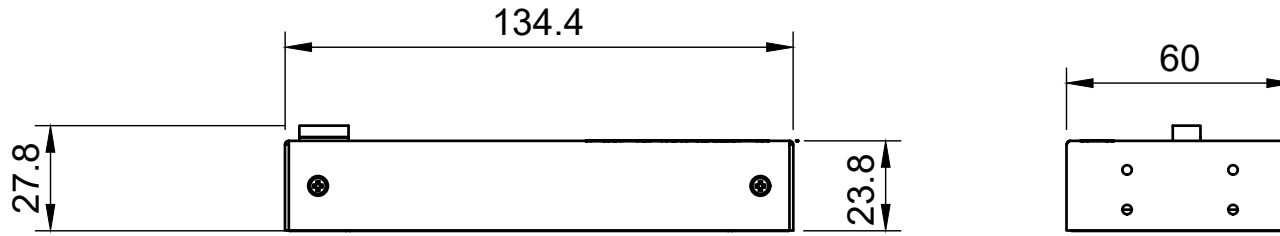

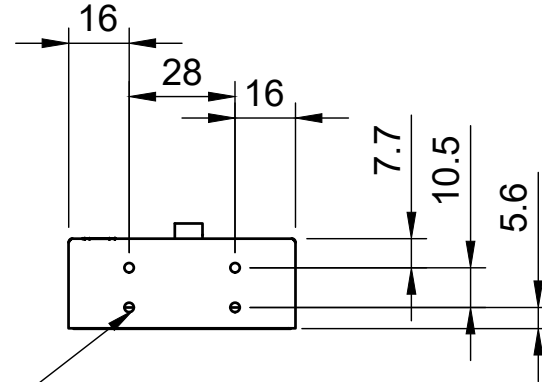
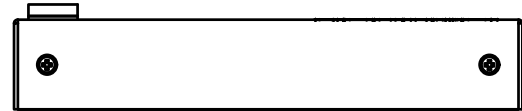
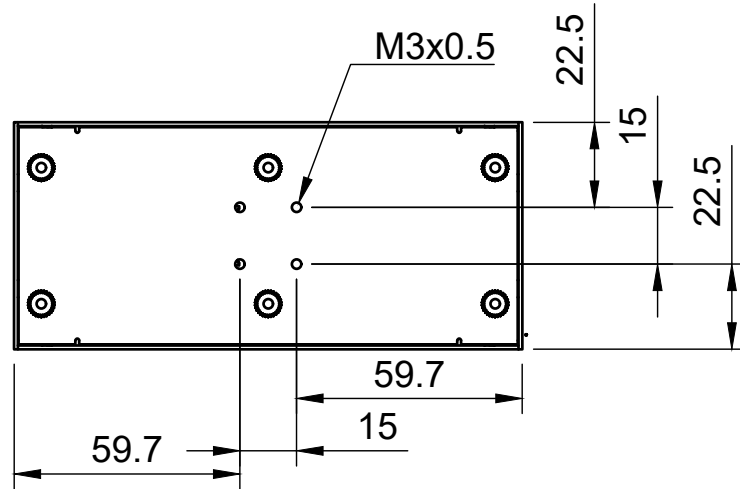


Basic measurements
Detailed Ports



		Model #:	
		GM-HU37DW	
Drawn by: Leo Pinto		Scale: 1:2	Units: mm
Drawn Date: 4/14/2021		Tolerance: +/- 0.15mm	
Notes:		Contact: support@gearmo.com	
		Web: gearmo.com	
		A4	1/3

Mounting Holes



M3x0.5



Model #: GM-HU37DW

Drawn by: Leo Pinto

Scale: 1:2 Units: mm

Drawn Date: 4/14/2021

Tolerance: +/- 0.15mm

Notes:

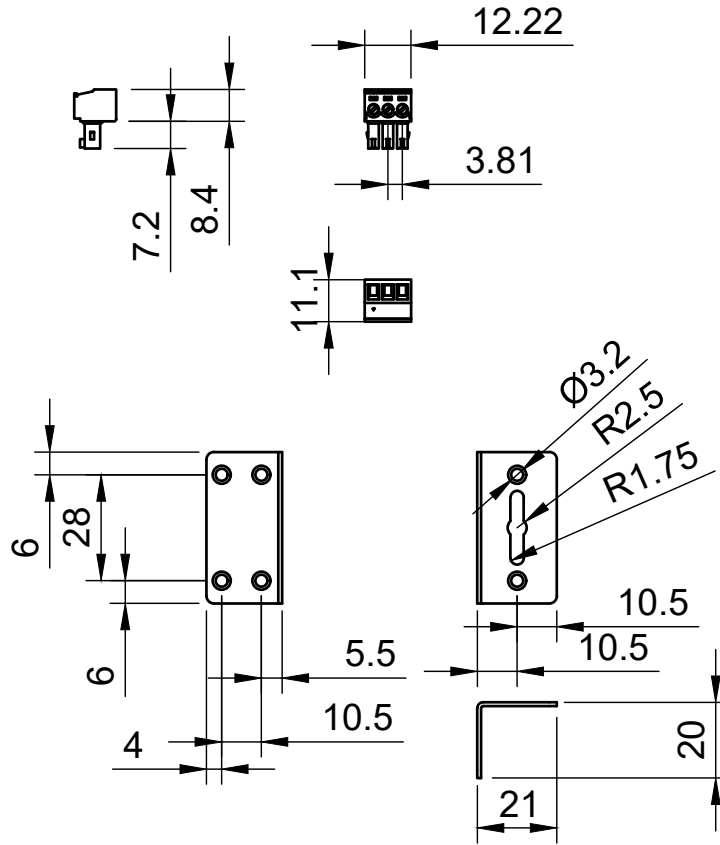
Contact: support@gearmo.com

Web: gearmo.com

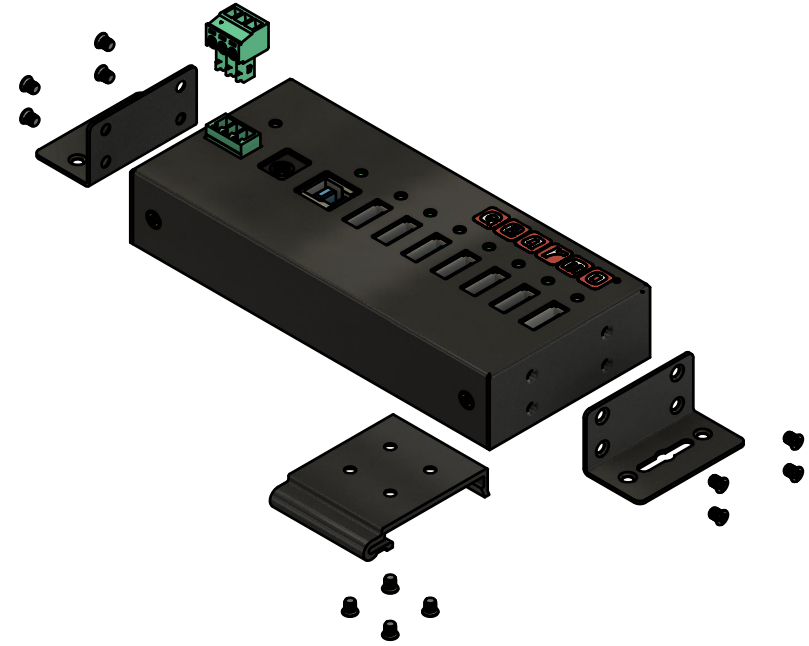
A4

2/3

Accessories



Exploded View



gearmo [®]		Model #: GM-HU37DW	
Drawn by: Leo Pinto		Scale: 1:2	Units: mm
Drawn Date: 4/14/2021		Tolerance: +/- 0.15mm	
Notes:		Contact: support@gearmo.com	
		Web: gearmo.com	
		A4	3/3