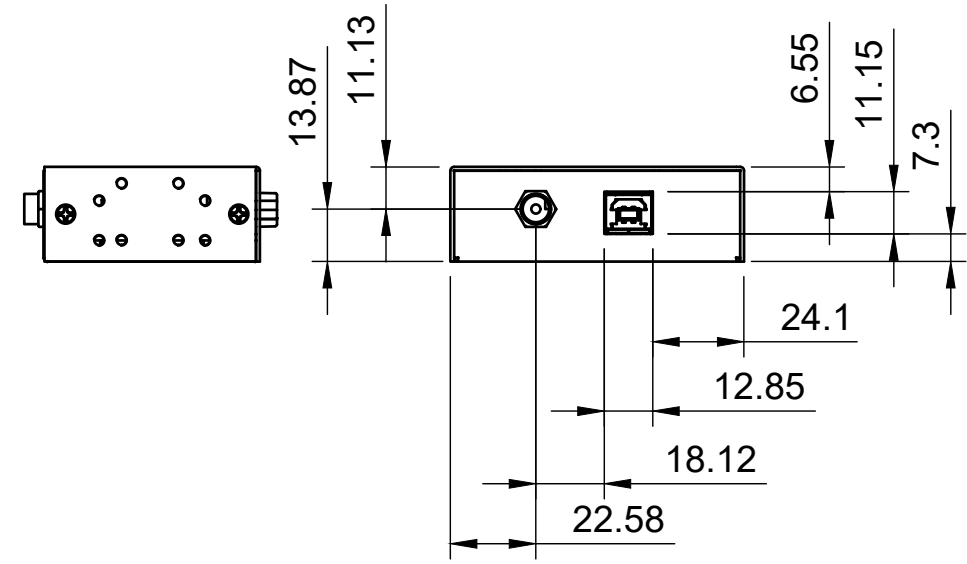
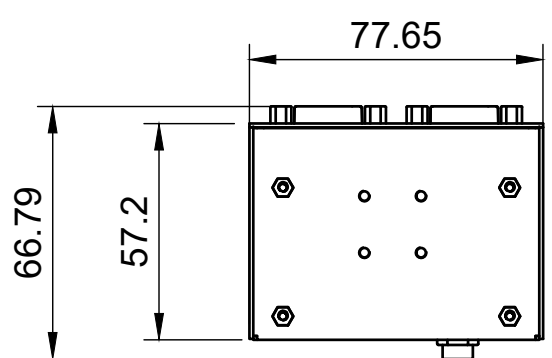
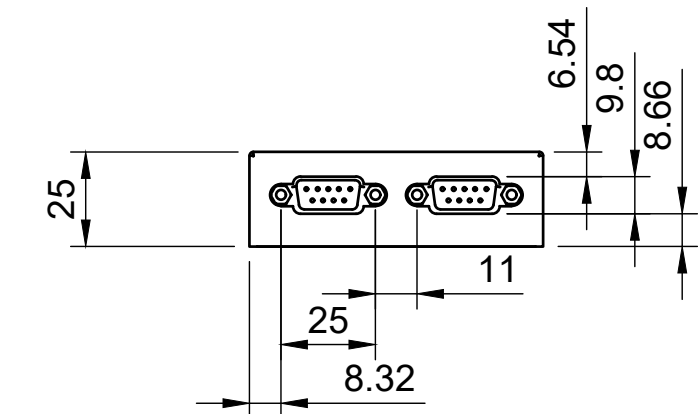

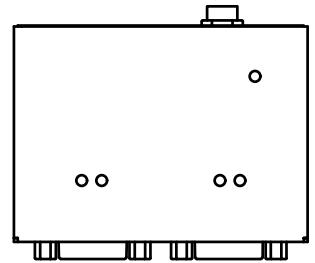
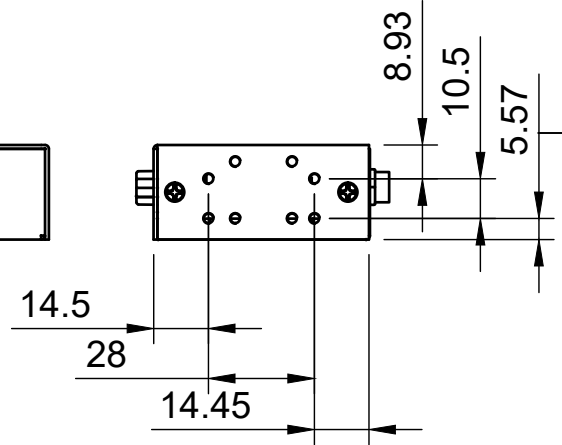
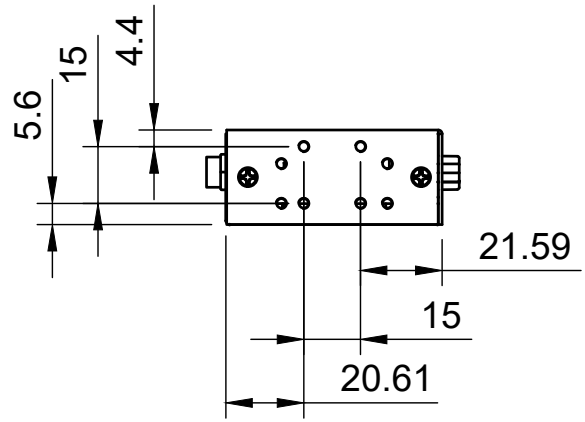
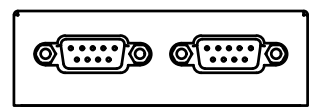
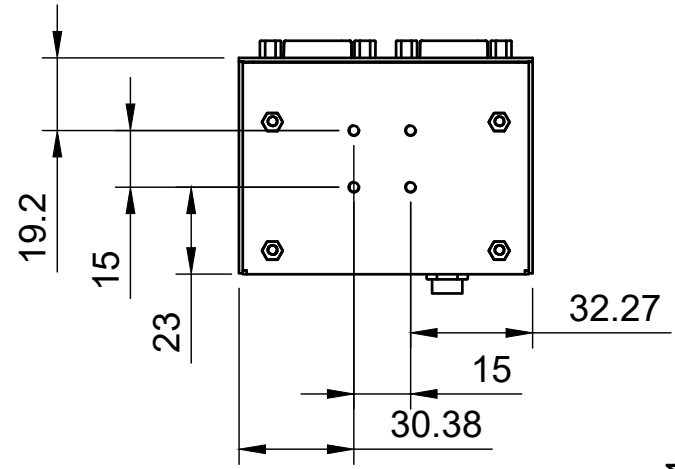



Basic Measurements
Ports Detailed Measurements



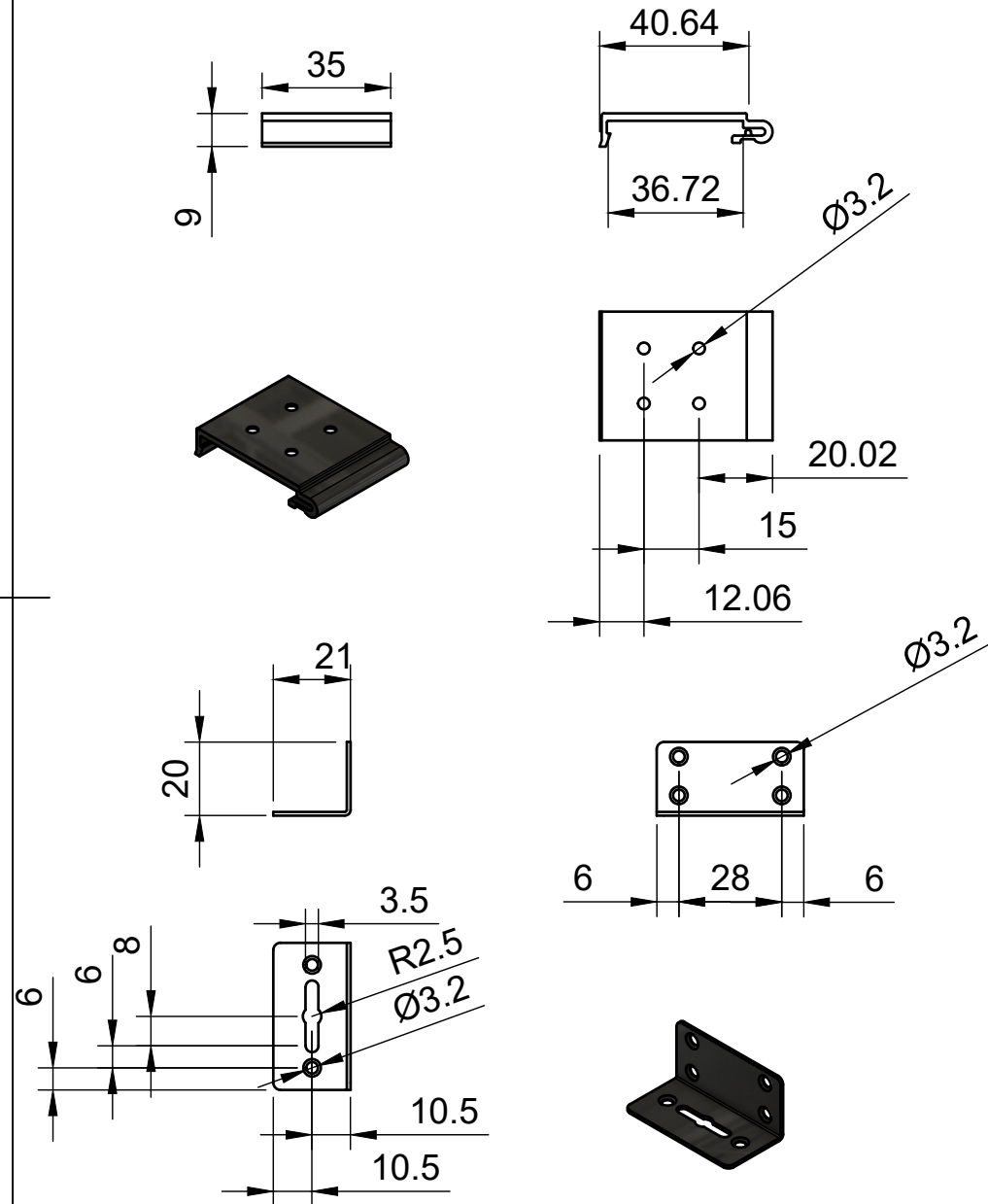
		Model #:	
		GM-FTDI2X-M	
Drawn by: Leo Pinto		Scale: 1:2	Units: mm
Drawn Date: 4/9/2021		Tolerance: +/- 0.15mm	
Notes:		Contact: support@gearmo.com	
		Web: gearmo.com	
		A4	1/4

Mounting Holes Measurements

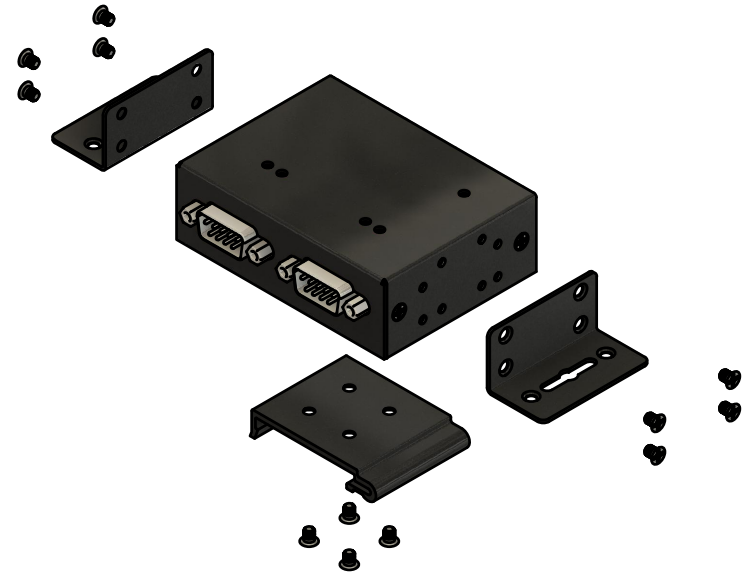


		Model #:	
		GM-FTDI2X-M	
Drawn by: Leo Pinto		Scale: 1:2	Units: mm
Drawn Date: 4/9/2021		Tolerance: +/- 0.15mm	
Notes:		Contact: support@gearmo.com	
		Web: gearmo.com	
		A4	2/4

Accessories



Exploded View



GEARMO[®]

Model #: GM-FTDI2X-M

Drawn by: Leo Pinto

Scale: 1:2 | Units: mm

Drawn Date: 4/9/2021

Tolerance: +/- 0.15mm

Notes:

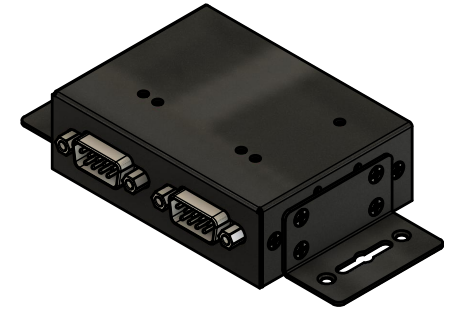
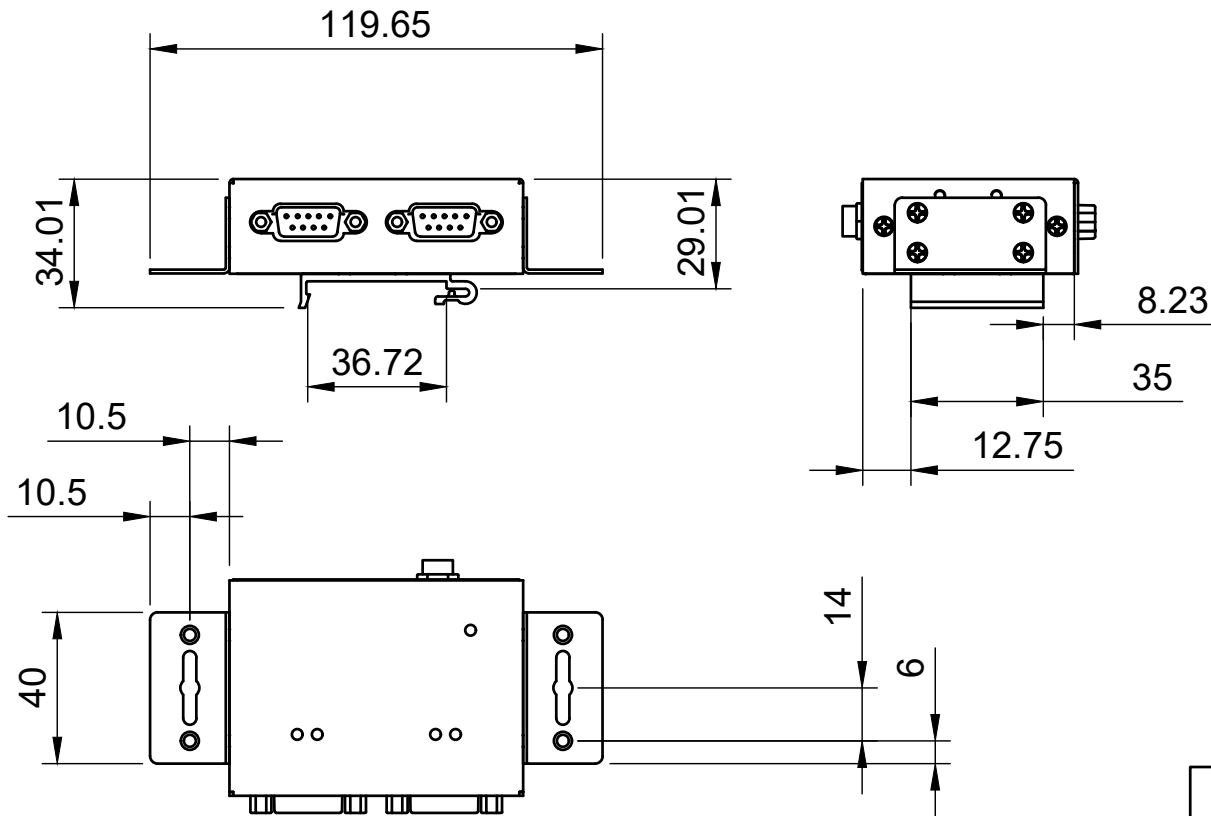
Contact: support@gearmo.com


Web: gearmo.com

A4

3/4

Dimensions With Accessories



		Model #: GM-FTDI2X-M	
Drawn by: Leo Pinto		Scale: 1:2	Units: mm
Drawn Date: 4/9/2021		Tolerance: +/- 0.15mm	
Notes:		Contact: support@gearmo.com	
		Web: gearmo.com	
		A4	4/4