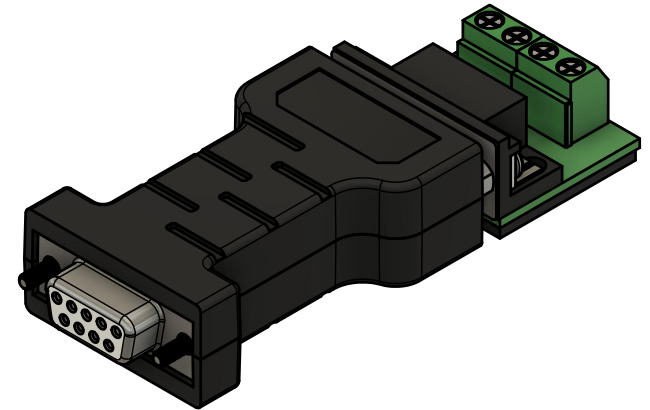
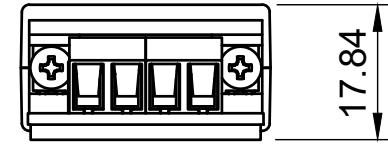
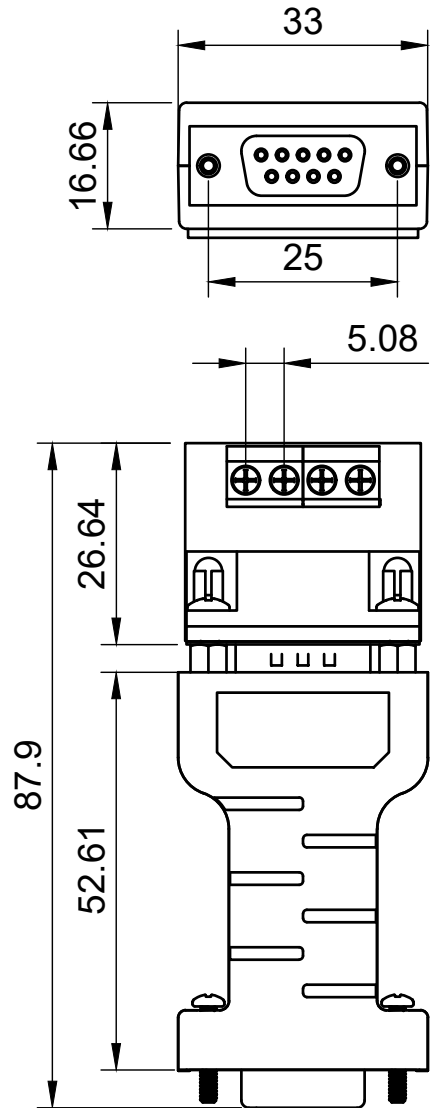


Basic Measurements
Port Detailed



GEARMO®		Model #: GM-1004E-B
Drawn by: Leo Pinto	Scale: 1:1	Units: mm
Drawn Date: 8/25/2021	Tolerance: +/- 0.15mm	
Notes:	Contact: support@gearmo.com	
	Web: gearmo.com	
	A4	1/1