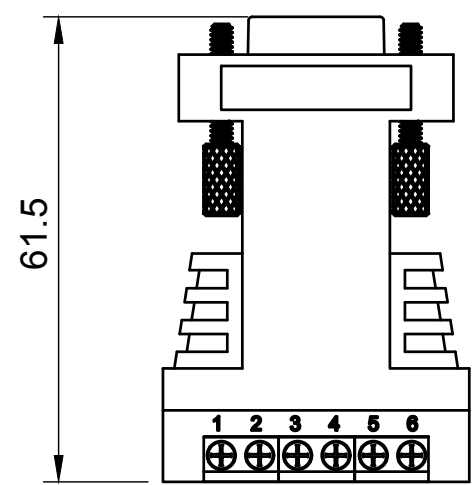
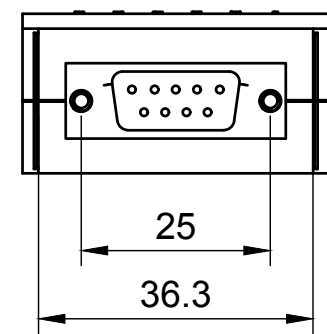
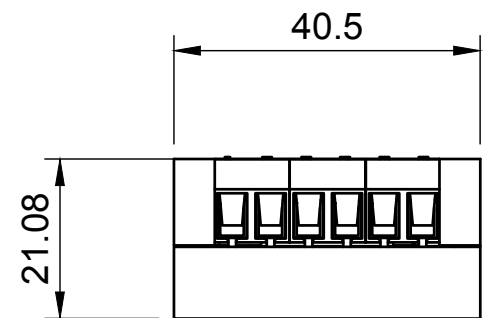
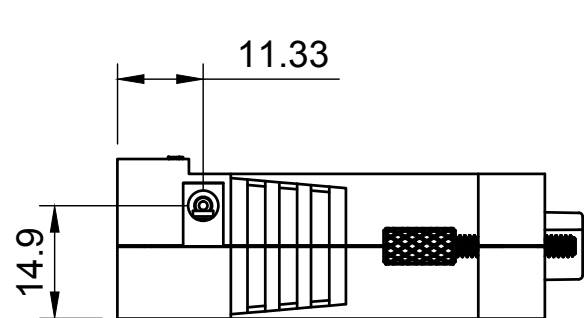
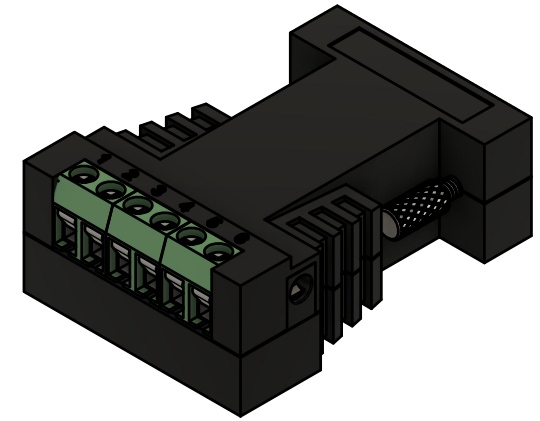


Basic Measurements
Port detailed



GEARMO [®]		Model #: GM-10127-B	
Drawn by: Leo Pinto		Scale: 1:1	Units: mm
Drawn Date: 8/24/21		Tolerance: +/- 0.15mm	
Notes:		Contact: support@gearmo.com	
		Web: gearmo.com	
		A4	1/1