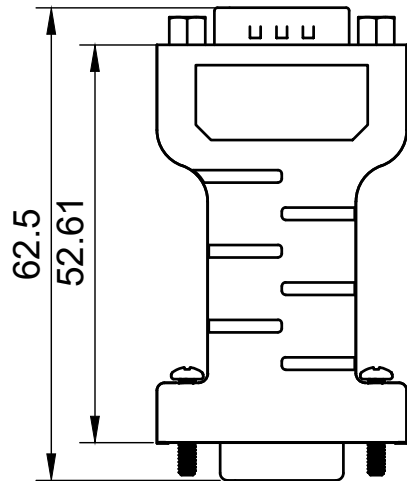
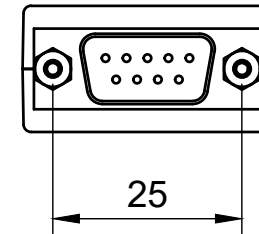
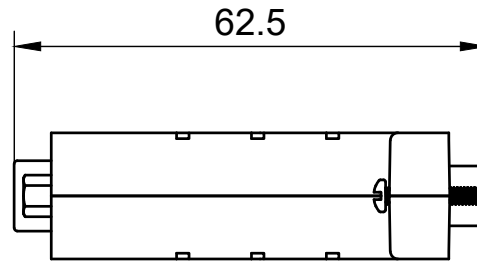
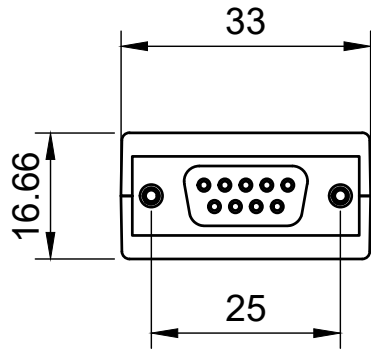
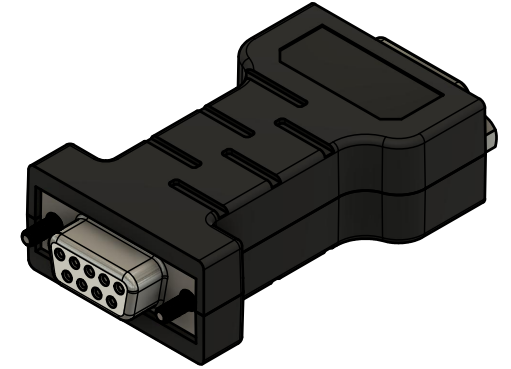



Basic Measurements  
Port Detailed



		Model #:	
		GM-1015-B	
Drawn by: Leo Pinto		Scale: 1:1	Units: mm
Drawn Date: 8/25/2021		Tolerance: +/- 0.15mm	
Notes:		Contact: support@gearmo.com	
		Web: gearmo.com	
		A4	1/1