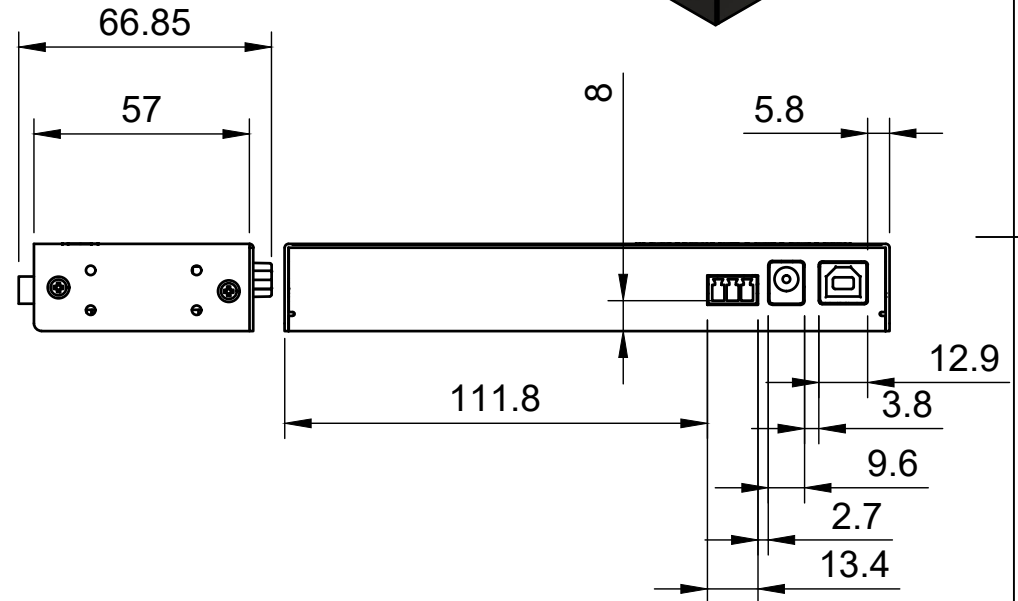
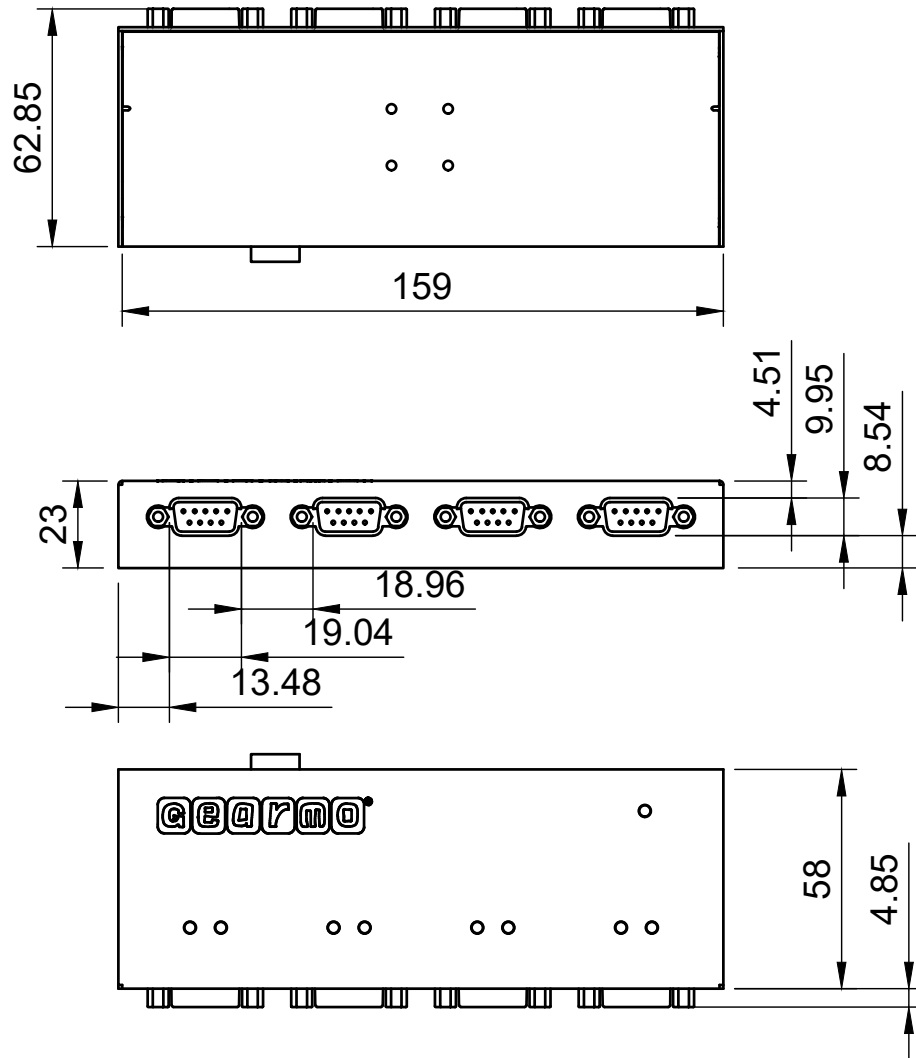


Basic Measurements  
Port Detailed



**gearmo®**

Model #: GM-FTDI4X-M

Drawn by: Leo Pinto

Scale: 1:2 Units: mm

Drawn Date: 4/6/2021

Tolerance: +/- 0.15mm

Notes:

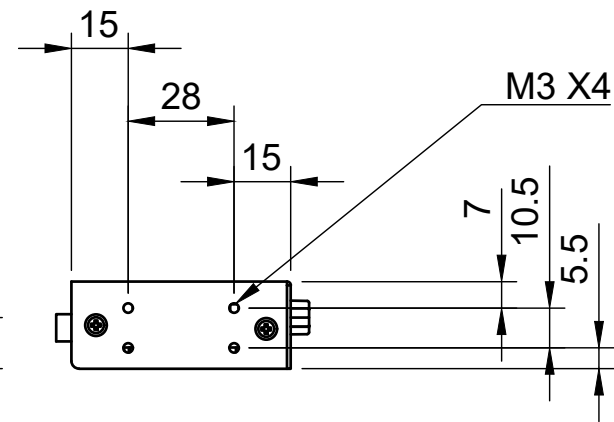
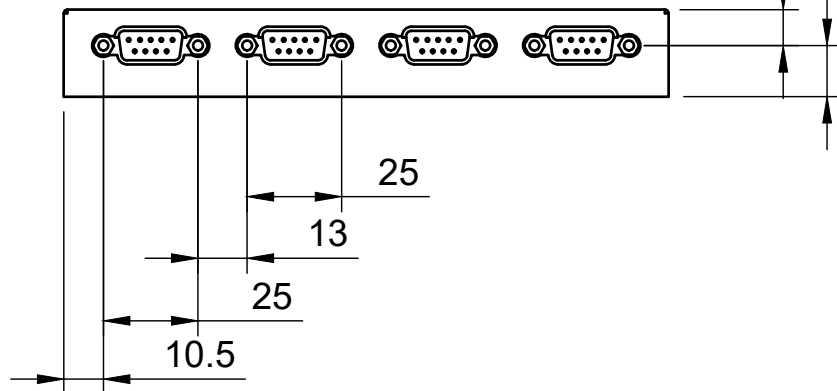
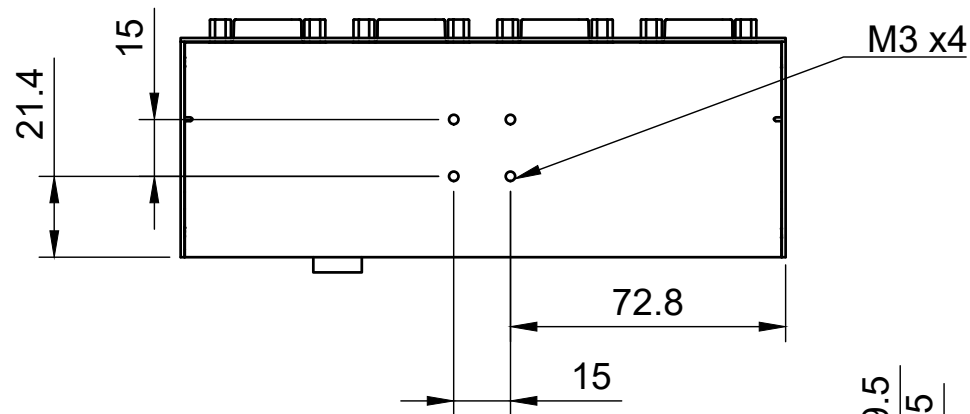
Contact: support@gearmo.com


Web: gearmo.com

A4

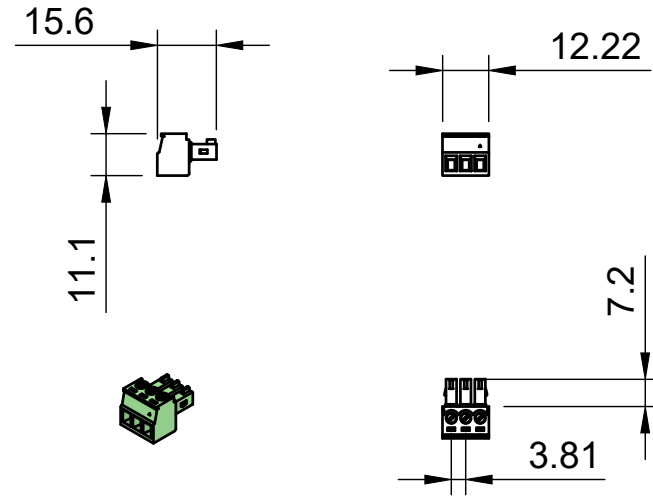
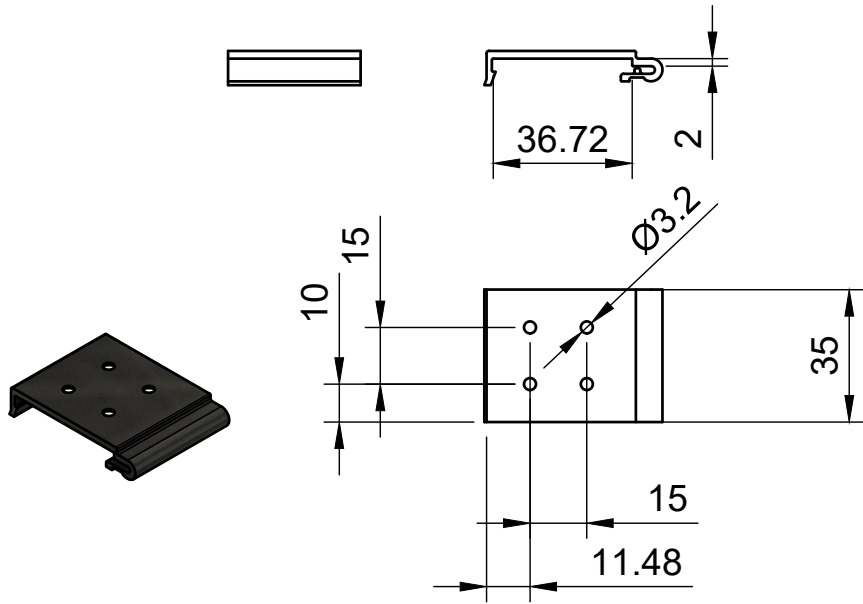
1/4

# Mounting Holes Measurements

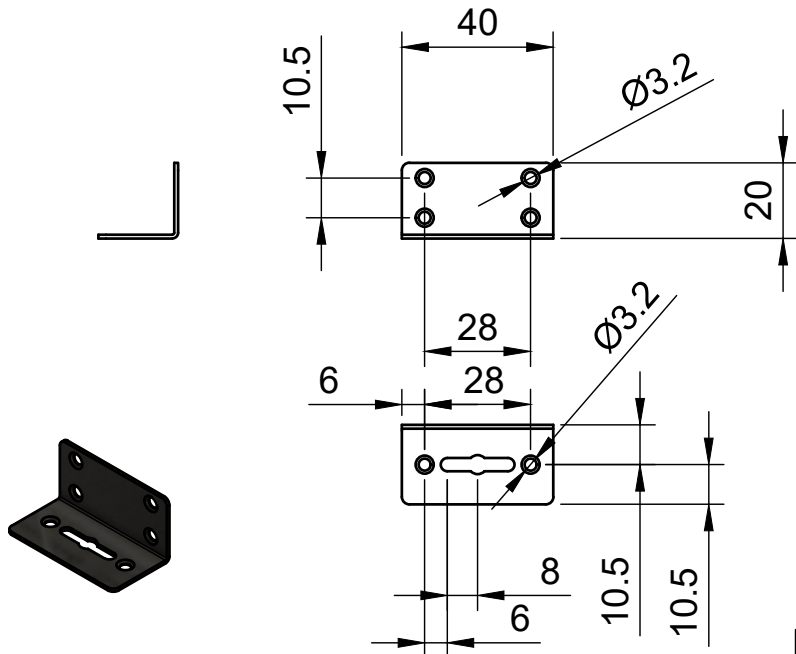


		Model #:	
		GM-FTDI4X-M	
Drawn by: Leo Pinto		Scale: 1:2	Units: mm
Drawn Date: 4/6/2021		Tolerance: +/- 0.15mm	
Notes:		Contact: support@gearmo.com	
		Web: gearmo.com	
		A4	2/4

Accessories

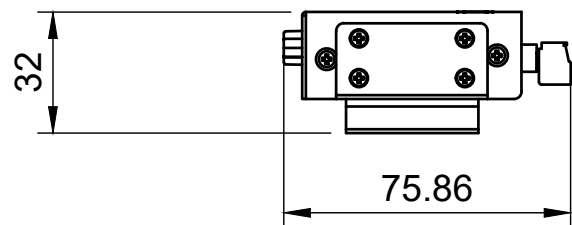
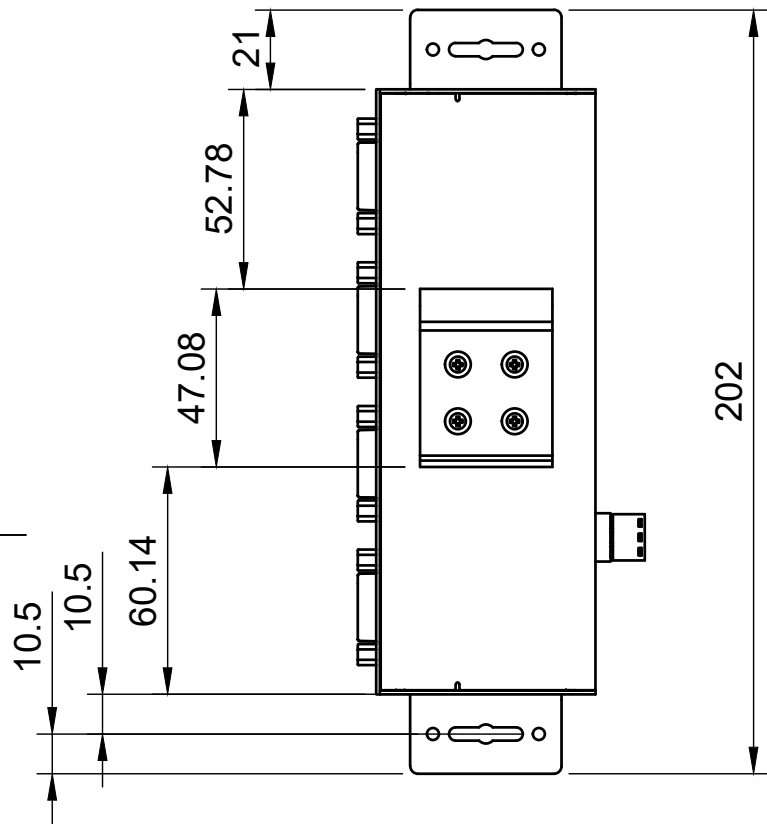


X2




		Model #:	
		GM-FTDI4X-M	
Drawn by: Leo Pinto		Scale: 1:2	Units: mm
Drawn Date: 4/6/2021		Tolerance: +/- 0.15mm	
Notes:		Contact: support@gearmo.com	
		Web: gearmo.com	
		A4	3/4

### Dimensions with Accessories



### Exploded View



		Model #:	
		GM-FTDI4X-M	
Drawn by: Leo Pinto		Scale: 1:2	Units: mm
Drawn Date: 4/6/2021		Tolerance: +/- 0.15mm	
Notes:		Contact: support@gearmo.com	
		Web: gearmo.com	
		A4	4/4