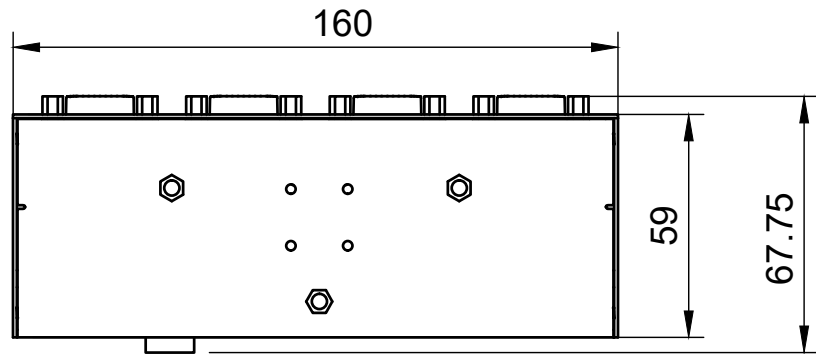
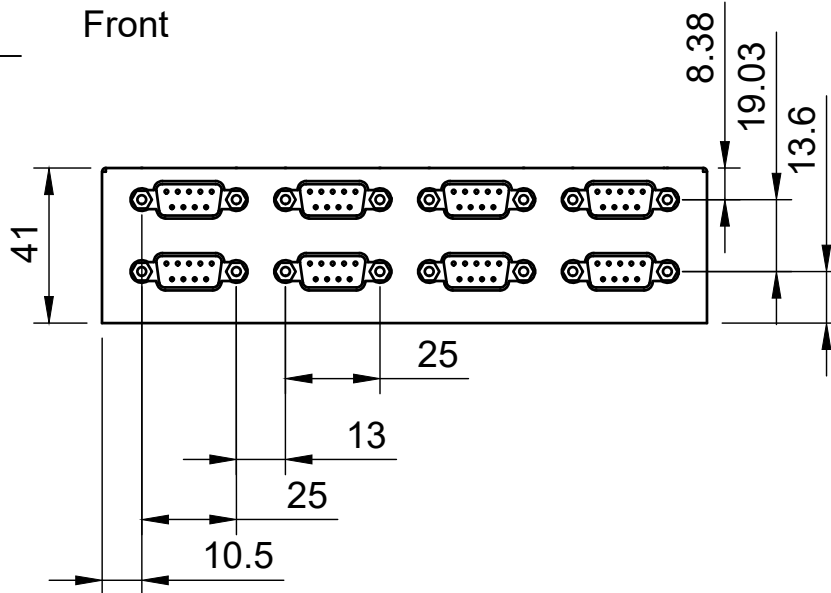


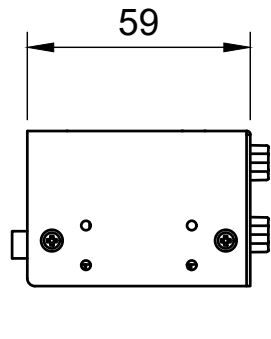
Basic Measurements
Ports Measurements



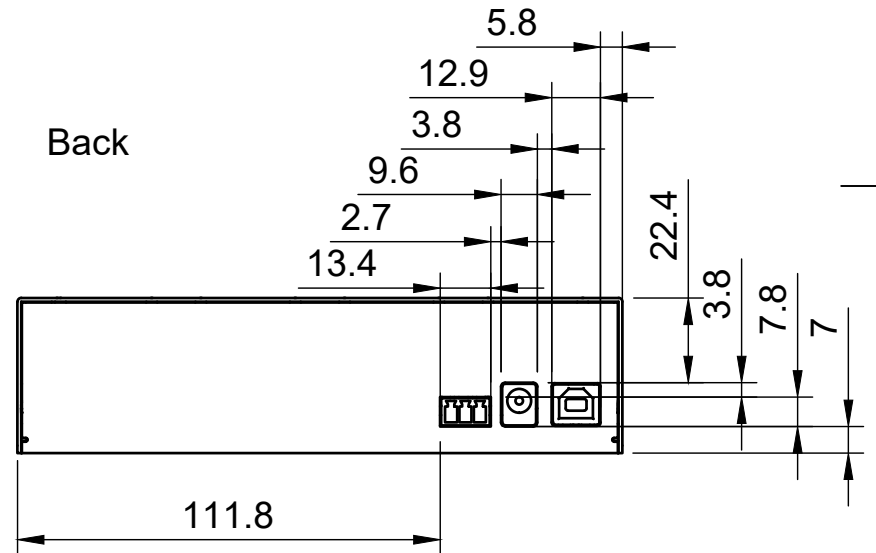
Front




Side

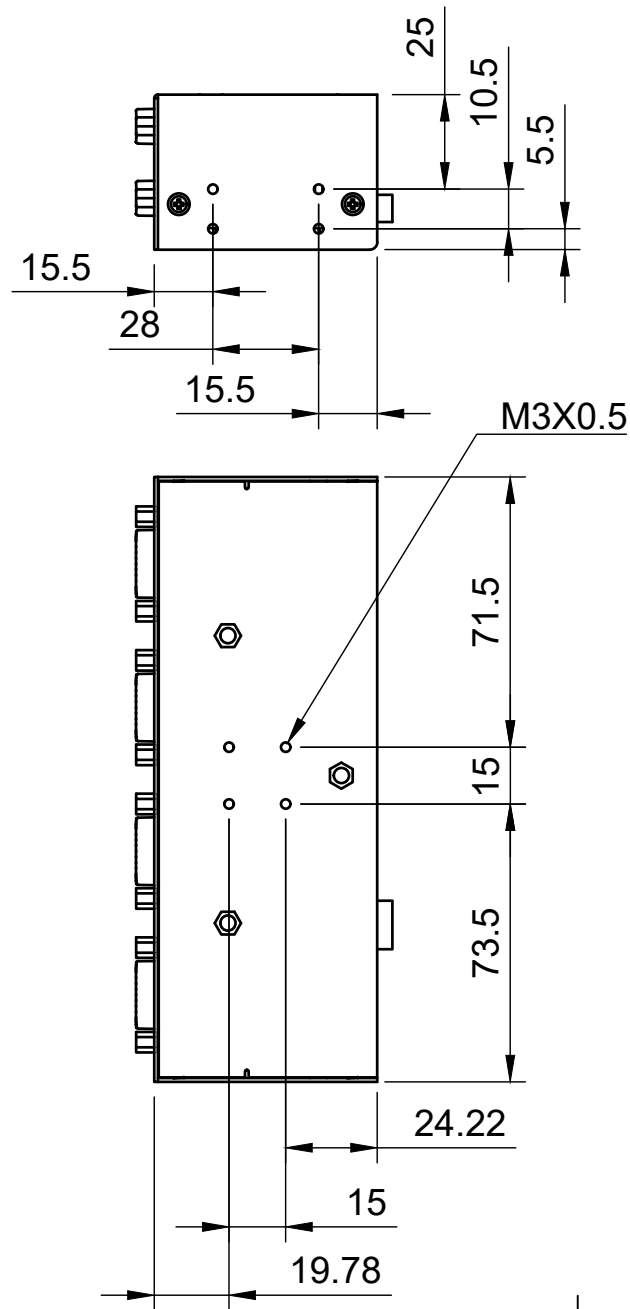



Back



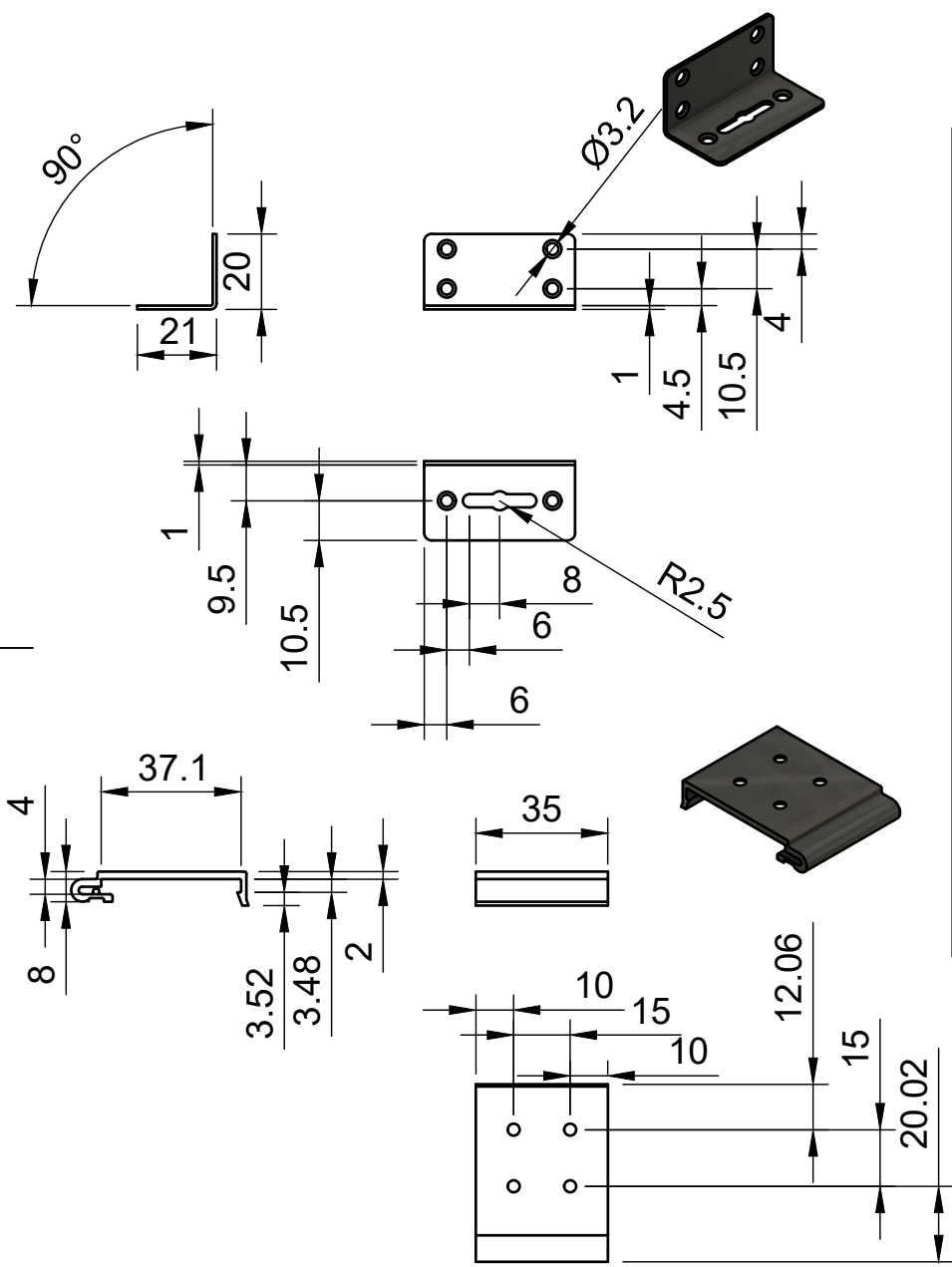
		Model #:	
		GM-FTDI8X-M	
Drawn by: Leo Pinto	Scale: 1:2	Units: mm	
Drawn Date: 3/26/2021	Tolerance: +/- 0.15mm		
Notes:	Contact: support@coolgear.com		
	Web: coolgear.com		
	A4	1/3	

Mounting Accesories Holes

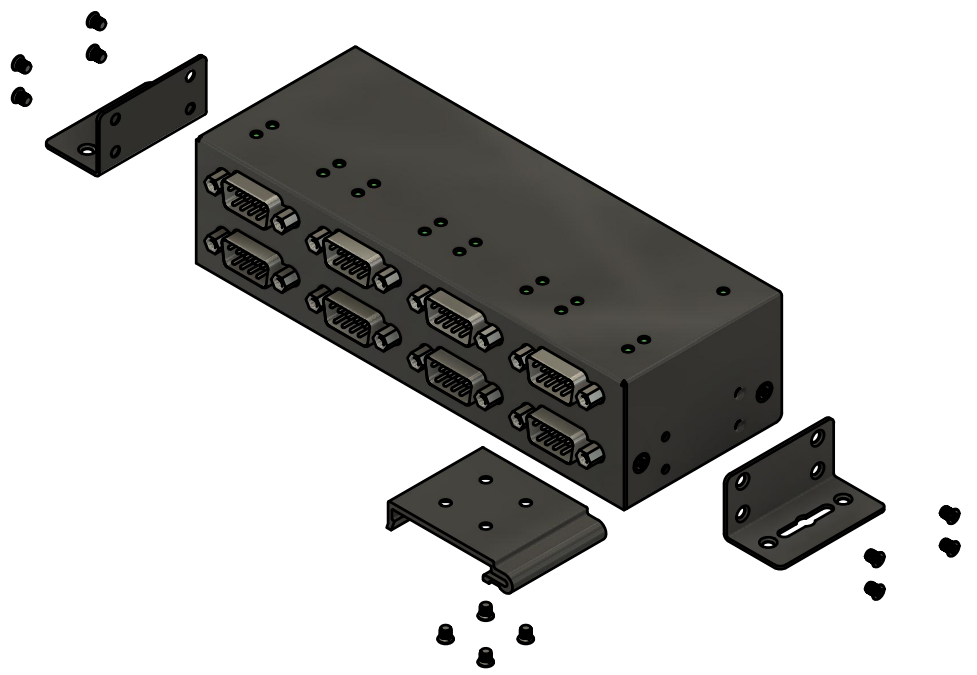



		Model #:	
		GM-FTDI8X-M	
Drawn by: Leo Pinto		Scale: 1:2	Units: mm
Drawn Date: 3/26/2021		Tolerance: +/- 0.15mm	
Notes:		Contact: support@coolgear.com	
		Web: coolgear.com	
		A4	2/3

Accesories



Exploded View



		Model #:	
		GM-FTDI8X-M	
Drawn by: Leo Pinto		Scale: 1:2	Units: mm
Drawn Date: 3/26/2021		Tolerance: +/- 0.15mm	
Notes:		Contact: support@coolgear.com	
		Web: coolgear.com	
		A4	3/3