



Travel Series

# USB-C 9 in 1 Portable Docking Station

**Model No.** GM-U3C9i1-TS

## User Manual

---

Dear customer, thank you for purchasing our **Travel Series 9 in 1 Portable Docking Station!** In order to better understand your new product, please read this manual carefully before use. **Enjoy!**

**Need some help?** Visit: [gearmo.com/support](https://gearmo.com/support)



# USB-C 9 in 1 Docking Station

## Features

---

- Plug and play
- Devices including smartphone, tablet, PC, laptop with USB-C Interface supported
- Windows, Mac OS, Android 7.0 or over compatible
- PD power supply, use while charging
- Gigabit Ethernet port for faster and more stable wired Internet accessing
- TF/SD card with high speed Read/Write function
- HDMI + VGA ports display simultaneously with resolution up to 1080p @60Hz for HDMI and VGA devices
- Wake-on-LAN function supported
- Work simultaneously with USB thumb drives, mice, keyboards, portable hard drives, & more

**Need some help?** Visit: [gearmo.com/support](https://gearmo.com/support)

## Specifications

---

- **Input:** USB Type-C Male
- **Output:** USB Type-A 3.2 Gen 1 × 3, HDMI × 1, VGA × 1, RJ45 × 1, SD × 1, TF × 1, & PD × 1
- **USB Type-A Ports:** USB 3.2 Gen 1 Standard with 5Gbps data transmission speed, backwards compatible with USB 2.0 / 1.1
- **HDMI Port:** Resolution up to 4K & 2K @30Hz
- **VGA Port:** Resolution up to 1920 × 1080 @60Hz
- **RJ45:** 10/100/1000Mbps Ethernet Auto-Adaptation
- **USB Type-C:** Supports PD charging up to 100W
- **SD / TF Port:** Read / Write, Simultaneous reading supported
- Full duplex & half duplex supported
- **Dimension:** 124 × 55 × 17 mm (4.88 × 2.17 × 0.67 in.)
- **Cable Length:** 150 mm (5.91 in.)

## Package Contents

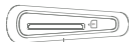
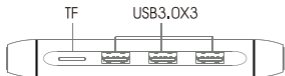
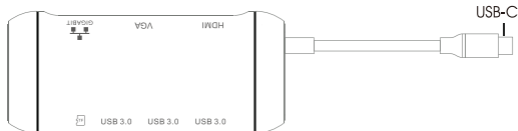
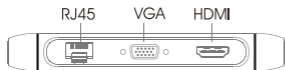
---

- USB-C Hub 9 in 1 Travel Series Portable Docking Station
- User Manual

**Need some help?** Visit: [gearmo.com/support](https://gearmo.com/support)

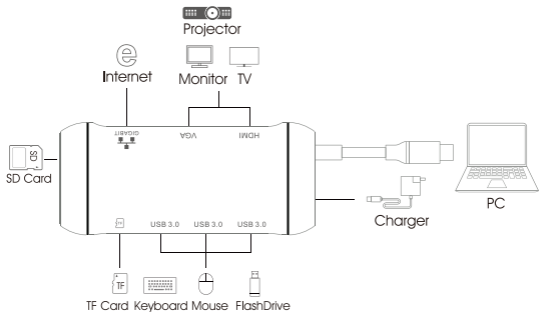
# Product Details

---



# Connection Method

---



## Warranty

---

Gearmo hereby warrants to you, the original purchaser, that the product(s) shall be free from defects in materials and workmanship under use consistent with the accompanying documentation for the period commencing upon the date of purchase continuing for the following year.

**Need some help?** Visit: [gearmo.com/support](https://gearmo.com/support)