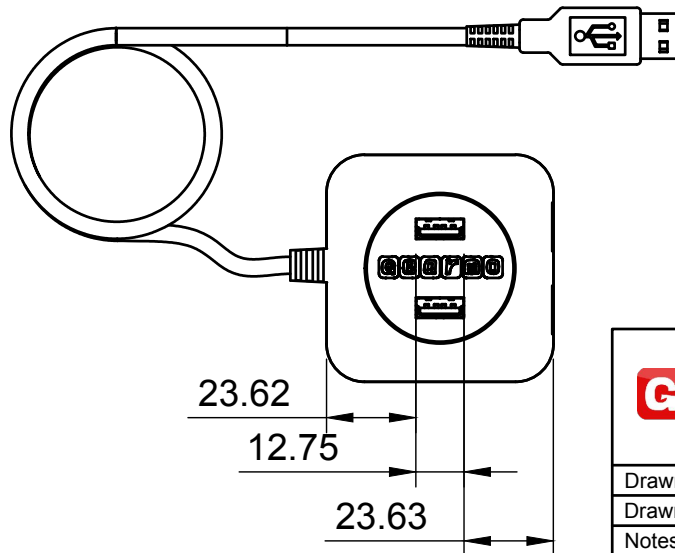
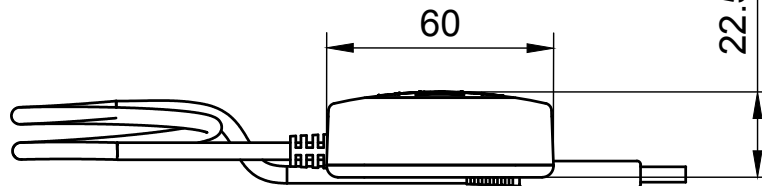
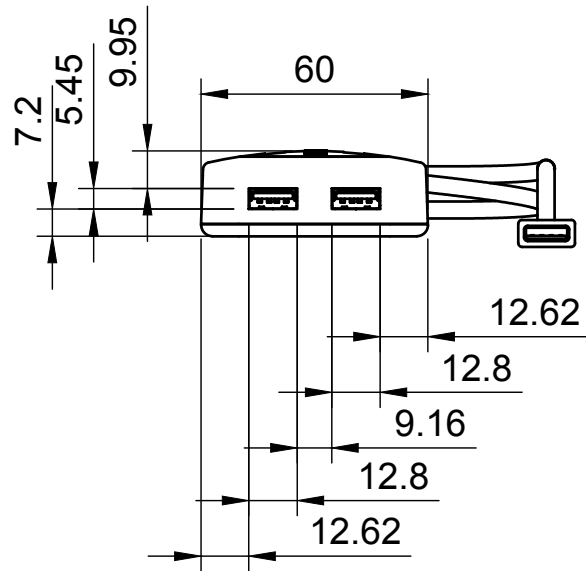


Basic Measurements  
Port Detailed



**GEARMO®**

Model #: GM-4XA3510-TS

Drawn by: Leo Pinto

Scale: 1:2 Units: mm

Drawn Date: 7/1/21

Tolerance: +/- 0.15mm

Notes:

Contact: support@gearmo.com

Web: gearmo.com

A4

1/1